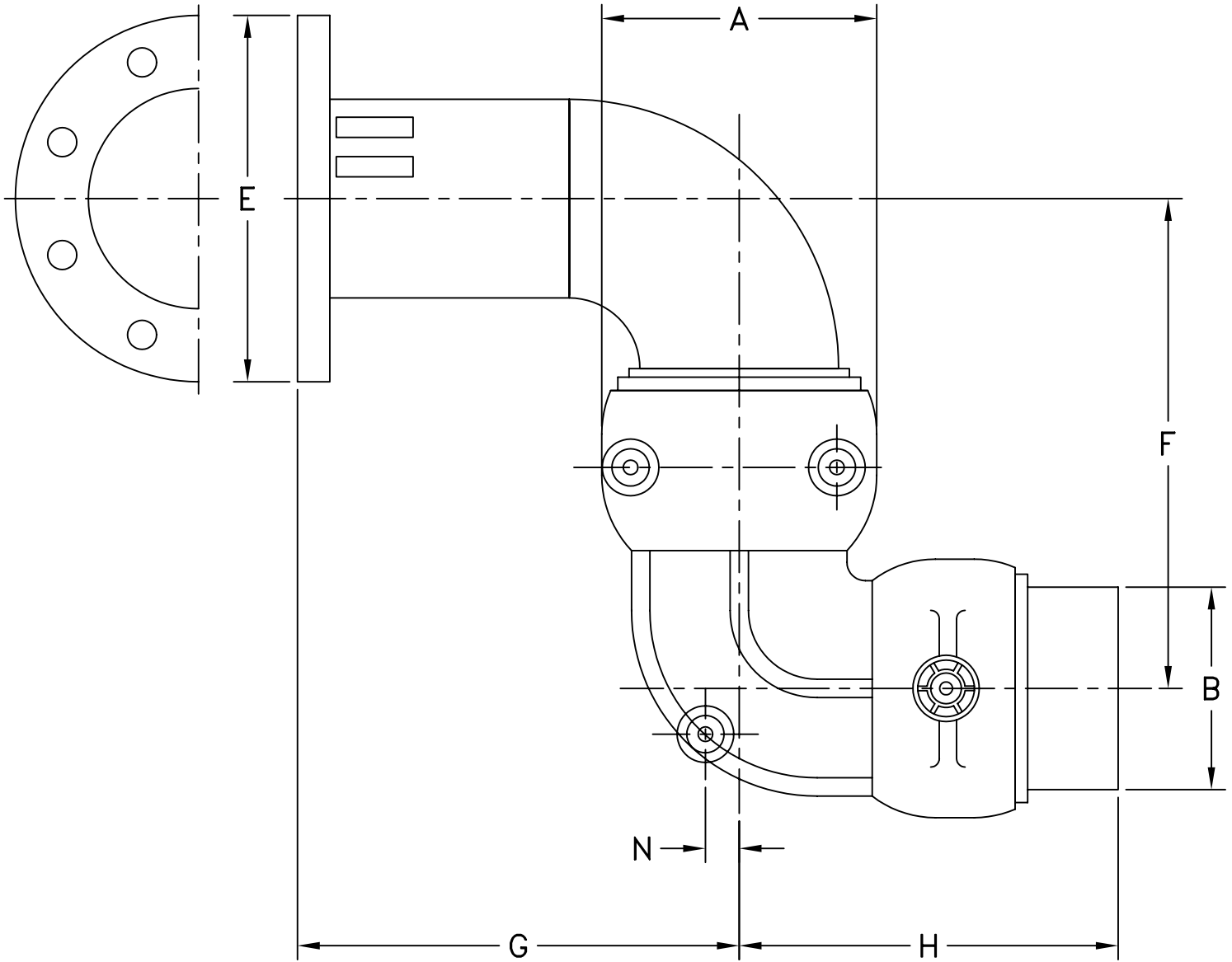


MATERIAL:
DUCTILE IRON

OPW Engineered Systems

STYLE 58TFT SWIVEL JOINT-CAST



SIZE	3"	4"
A	4-7/8"	6-1/16"
B	4"	5"
E	5-5/8"	6-5/8"
F	7-5/8"	9-1/4"
G	9-1/2"	9-1/4"
H	6-7/8"	7-11/16"
TTMA ϕ BOLT CIRCLE	4-7/8"	4-7/8"
TTMA NO. BOLTS - ϕ	(8) 7/16"	(8) 7/16"