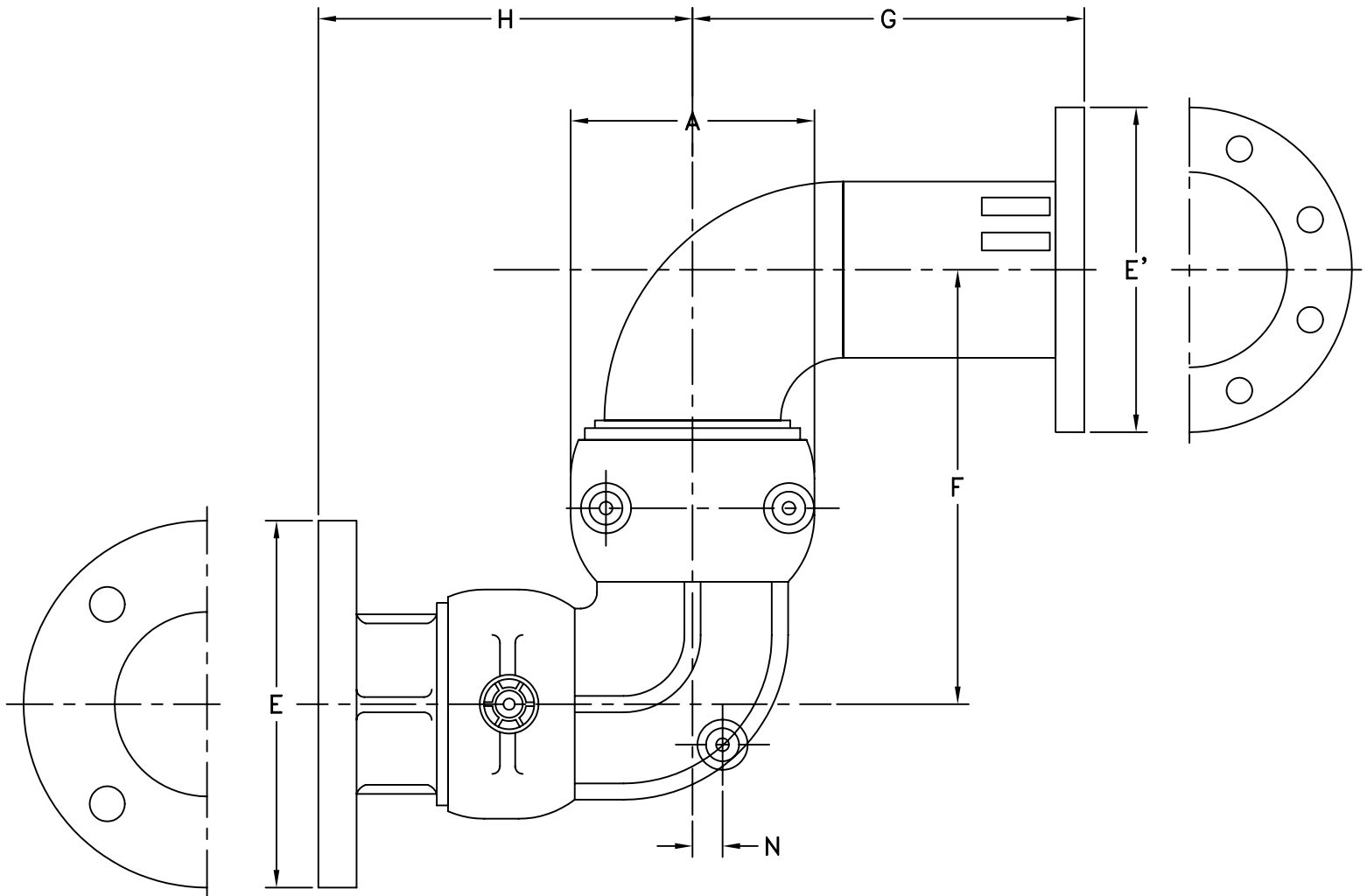


MATERIAL:
DUCTILE IRON

OPW Engineered Systems

STYLE 56FFT SWIVEL JOINT—CAST



SIZE	3"	4"
A	4-7/8"	6-1/16"
E	7-1/2"	9"
E'	5-5/8"	6-5/8"
F	8-1/2"	10-1/4"
G	9-1/2"	9-1/4"
H	6-7/8"	8-3/32"
TTMA ϕ BOLT CIRCLE	4-7/8"	5-7/8"
TTMA NO. BOLTS - ϕ	(8) 7/16"	(8) 7/16"
ANSI ϕ BOLT CIRCLE	6"	7-1/2"
ANSI NO. BOLTS - ϕ	(4) 5/8"	(8) 5/8"