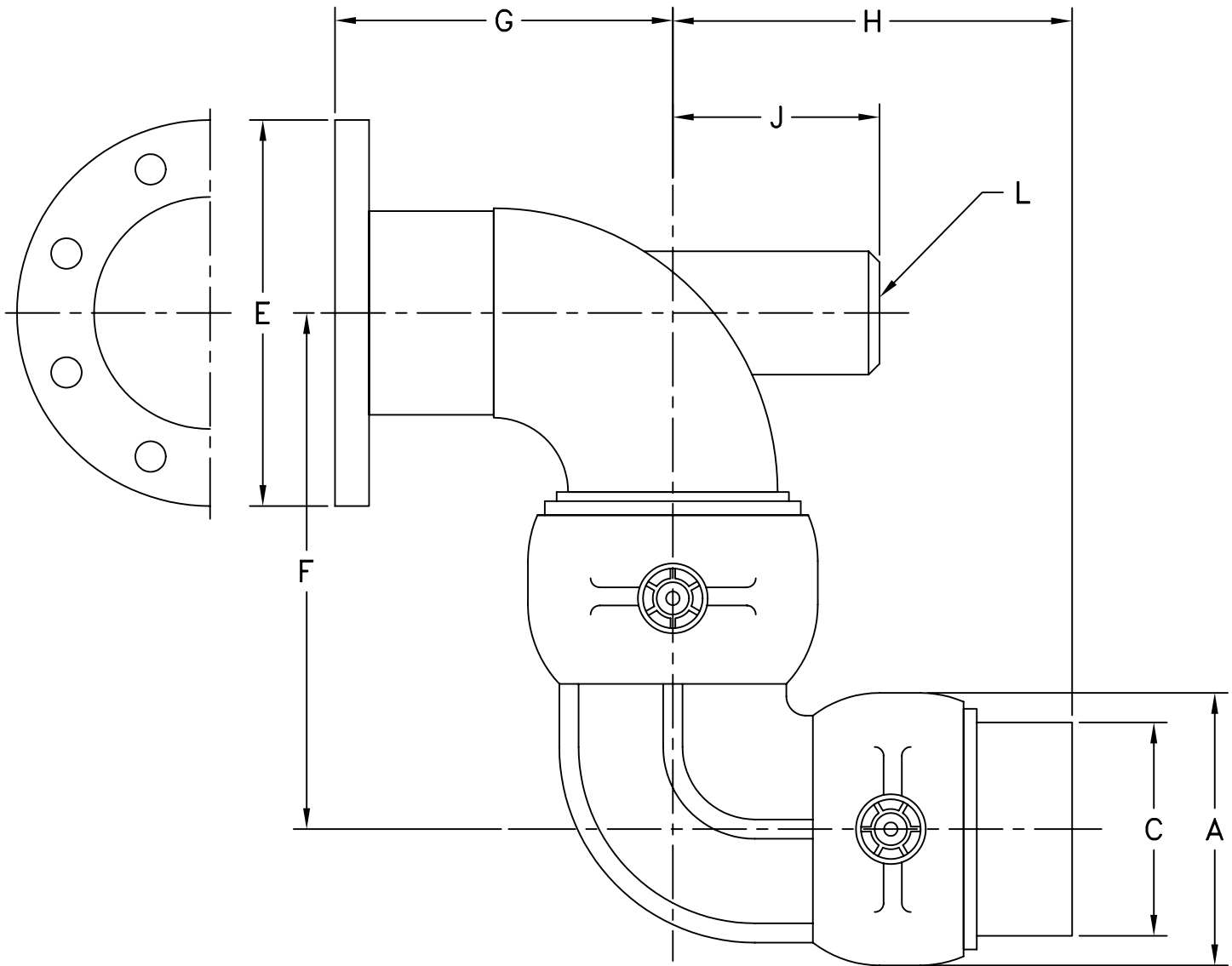


MATERIAL:  
DUCTILE IRON

OPW Engineered Systems

STYLE 55TFT SWIVEL JOINT-CAST



SIZE	4"
A	6-1/16"
C	5"
E	6-5/8"
F	9-1/4"
G	9-1/4"
H	7-21/32"
J	3-1/8"
L	2"
TTMA $\phi$ BOLT CIRCLE	5-7/8"
TTMA NO. BOLTS - $\phi$	(8) 7/16"