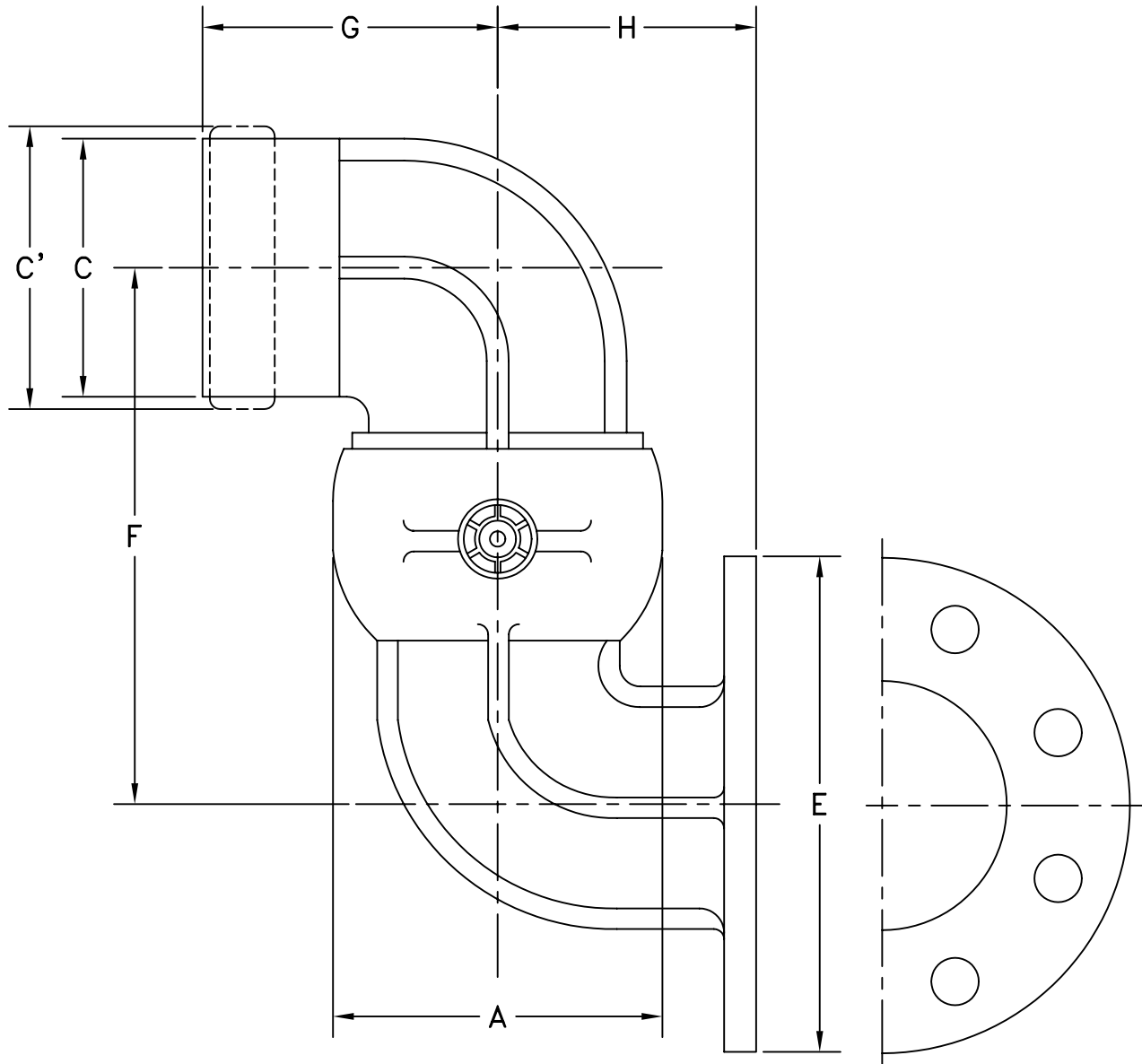


MATERIAL:
ALUMINUM (3")

OPW Engineered Systems

STYLE 40FTOL SWIVEL JOINT-CAST



SIZE	3"
A	4-7/8"
C	4"
C'	5-53/64"
E	5-5/8"
F	10-3/8"
G	4-5/8"
H	3-9/16"
TTMA ϕ BOLT CIRCLE	4-7/8"
TTMA NO. BOLTS - ϕ	(8) 7/16"