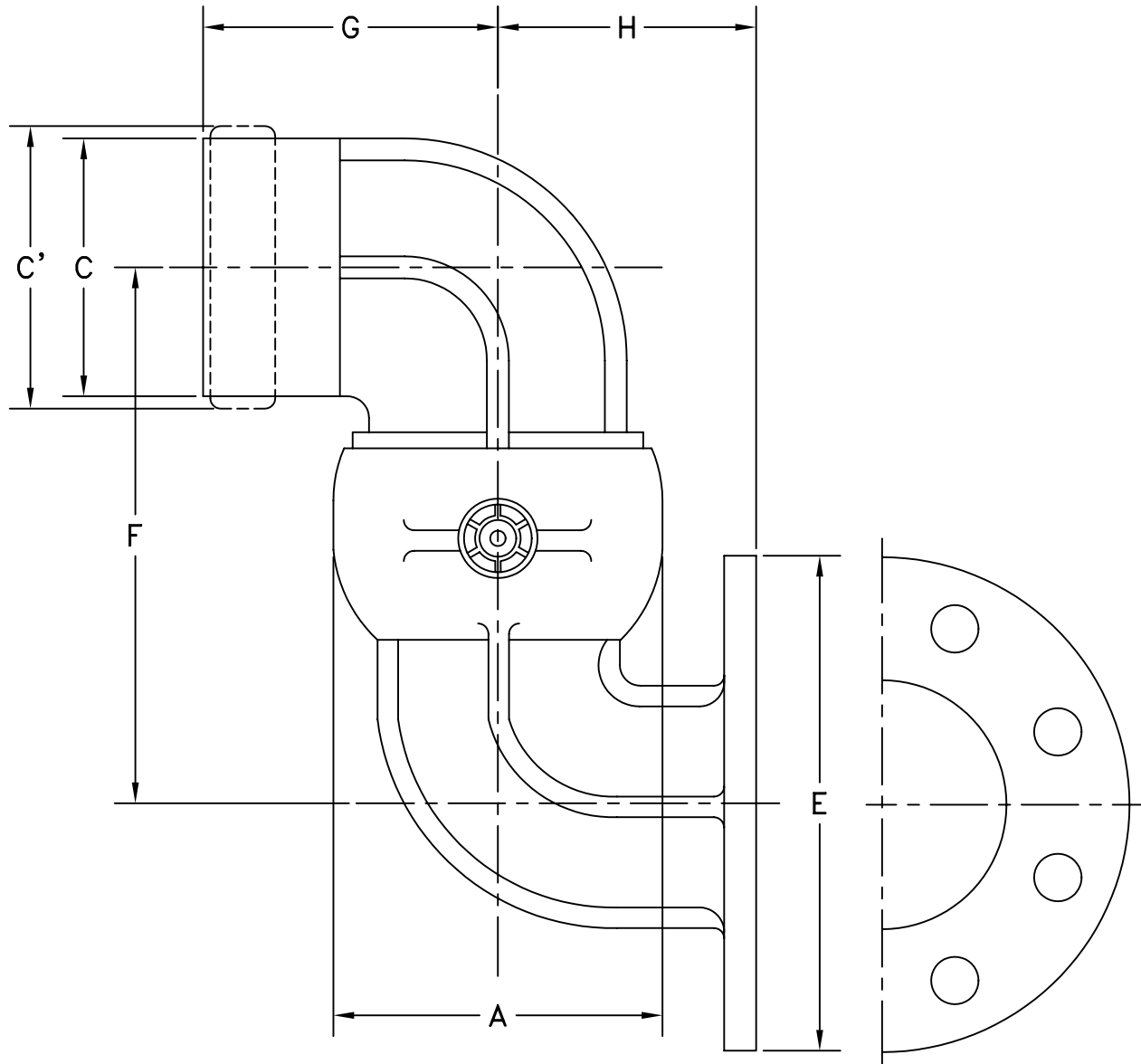


MATERIAL:  
ALUMINUM (3" 4")

OPW Engineered Systems

STYLE 40FTO SWIVEL JOINT-CAST



SIZE	3"	4"
A	4-7/8"	6-1/16"
C	4"	5"
C'	5-53/64"	5-53/64"
E	5-5/8"	6-5/8"
F	7-5/8"	9-1/4"
G	4-5/8"	5"
H	3-9/16"	5-7/8"
TTMA $\phi$ BOLT CIRCLE	4-7/8"	5-7/8"
TTMA NO. BOLTS - $\phi$	(8) 7/16"	(8) 7/16"