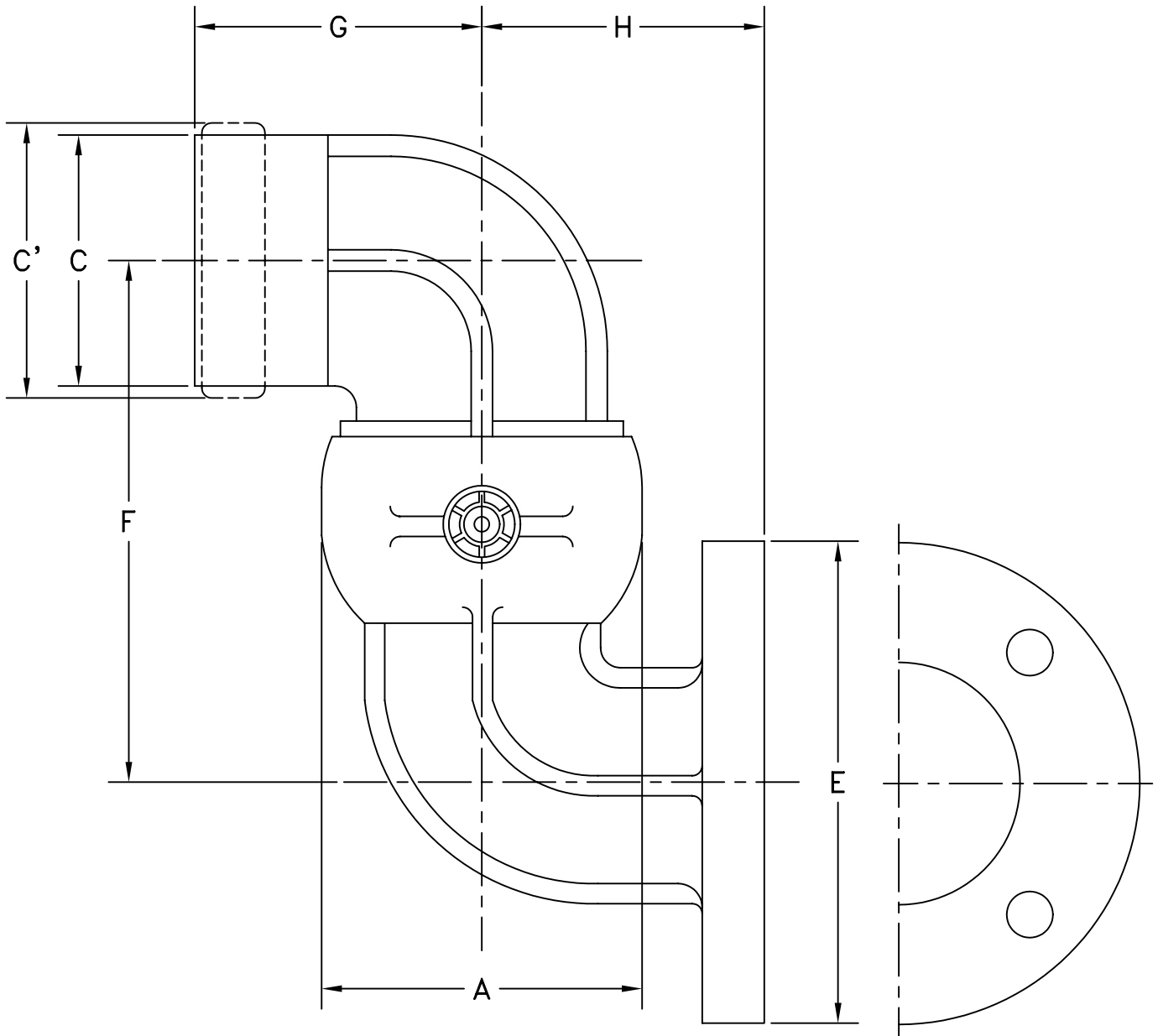


MATERIAL:
ALUMINUM (3" 4")

OPW Engineered Systems

STYLE 40FO SWIVEL JOINT-CAST



SIZE	3"	4"
A	4-7/8"	6-1/16"
C	4"	5"
C'	5-53/64"	5-53/64"
E	7-1/2"	9"
G	4-5/8"	5"
H	5"	6-1/16"
∅ BOLT CIRCLE	6"	7-1/2"
NO. BOLTS - ∅	(4) 5/8"	(8) 5/8"