

A

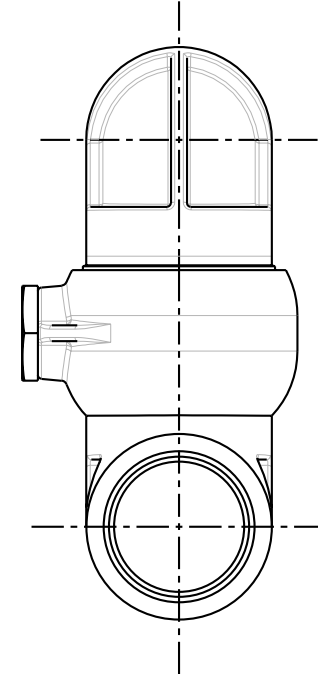
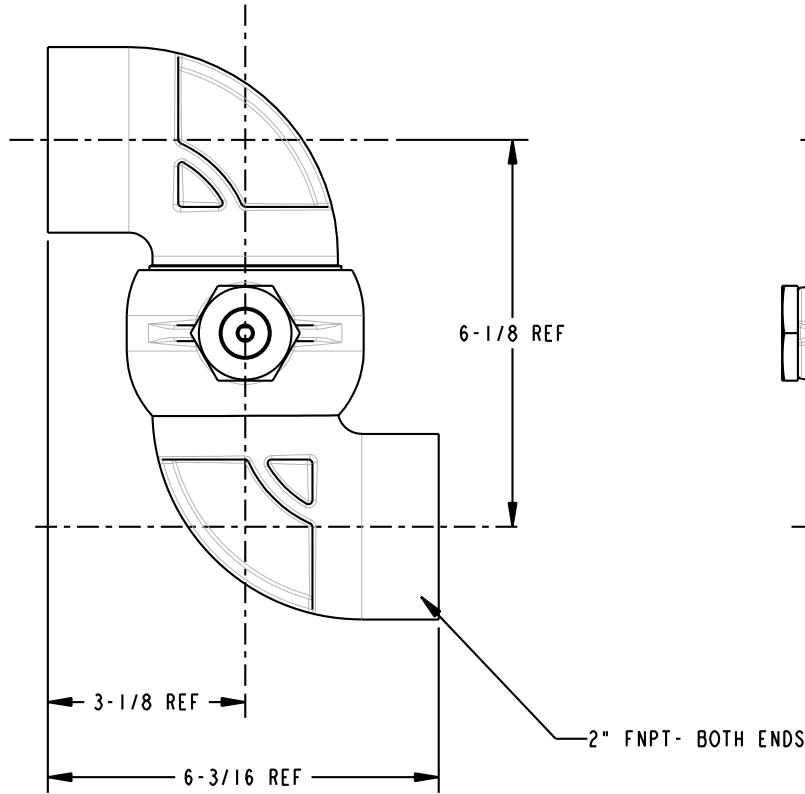
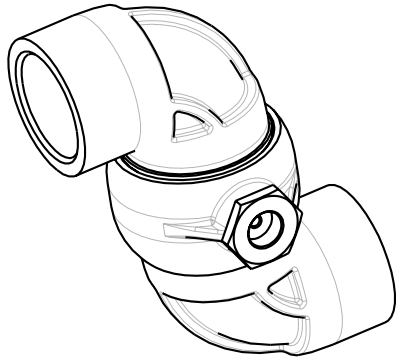
B

C

D

THIS DRAWING IS NOT TO BE SCALED. FOR ADDITIONAL INFORMATION. PLEASE CONTACT OUR ENGINEERING DEPT.

REVISIONS				DRAWN	APPROVED	DATE
LTR	ECN #	DESCRIPTION				
-	-	-	-	-	-	-



CONFIDENTIAL THIS DOCUMENT CONTAINS INFORMATION WHICH IS PROPRIETARY TO OPW, AND SHOULD BE PROTECTED ACCORDINGLY.

DESCRIPTION: 2" SWIVEL, ALUMINUM, FNPT

SIGNATURES		MO-DA-YR	REV:
DRAWN:	SCK	06/08/09	-
CHECKED:	-	-	-
MATERIAL:	ALUMINUM	WEIGHT:	-

PART NUMBER:	3640-020X
SCALE: 0.500	
SHEET 1 OF 1	

OPW Engineered Systems
 A **DOVER** Resources Company
 Lebanon, Ohio 45036 USA
 3D GENERATED DRAWING

A

B

C

D

1

1

2

2

3

3

4

4