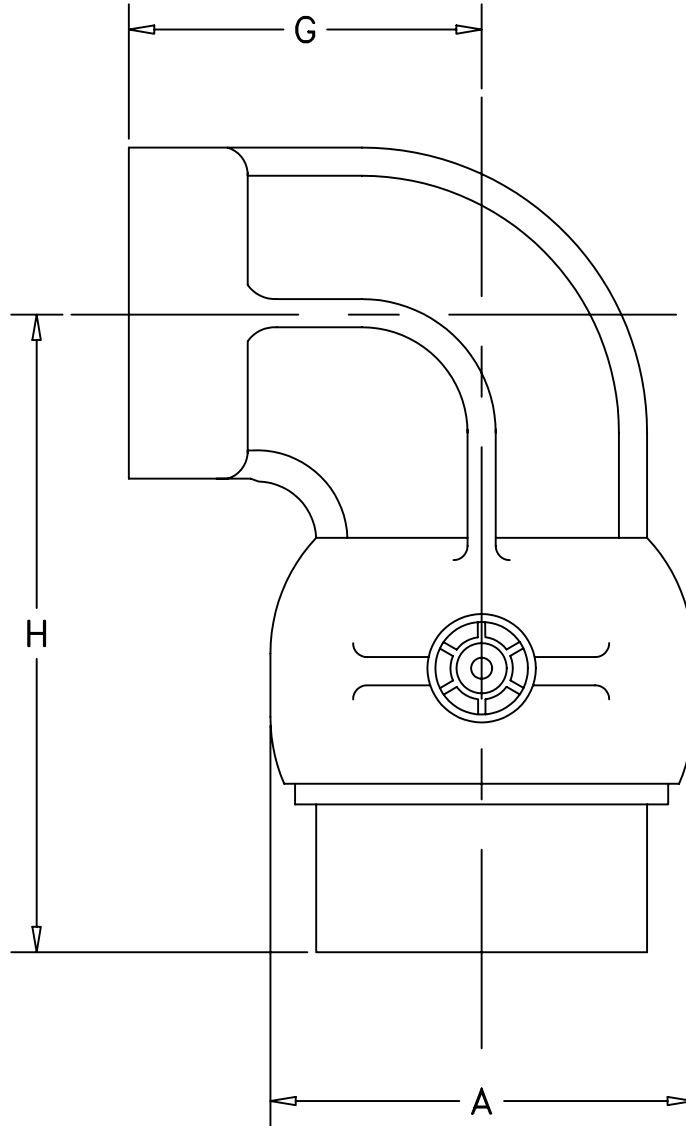


MATERIAL:  
ALUMINUM  
BRONZE  
DUCTILE IRON

OPW Engineered Systems

STYLE 30 SWIVEL JOINT—CAST



SIZE	1-1/4"	1-1/2"	2"	3"	4"
A	2-15/16"	2-15/16"	3-3/4"	4-7/8"	6-1/16"
H	4-11/16"	4-11/16"	6-5/8"	6-7/8"	7-21/32"
G	3"	3"	3-1/8"	4-5/8"	5"