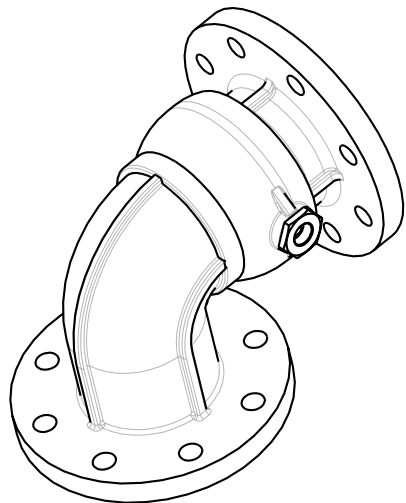
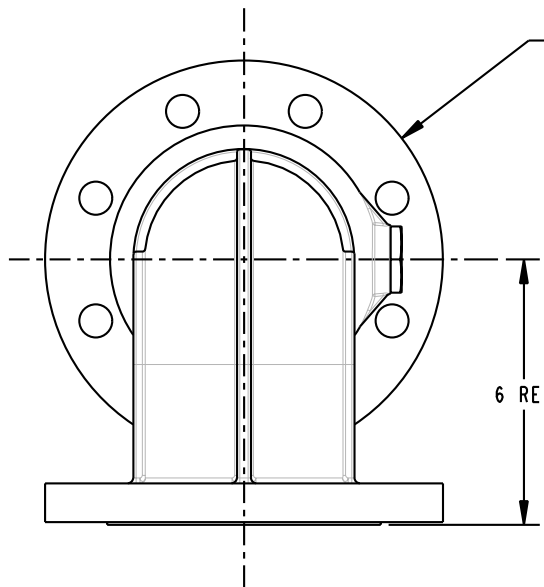


THIS DRAWING IS NOT TO BE SCALED. FOR ADDITIONAL INFORMATION, PLEASE CONTACT OUR ENGINEERING DEPT.

REVISIONS				DRAWN	APPROVED	DATE
LTR	ECN #	DESCRIPTION				
-	-	-	-	-	-	-

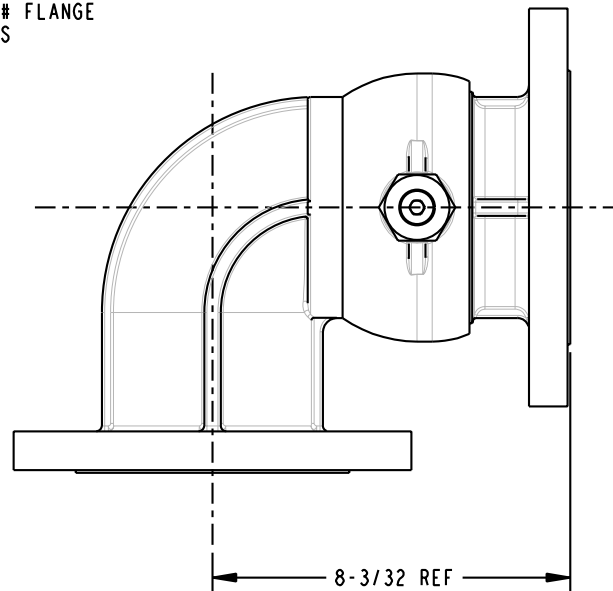


SCALE 0.250



Ø9 REF
4" - 150# FLANGE
BOTH ENDS

6 REF



8-3/32 REF

CONFIDENTIAL THIS DOCUMENT CONTAINS INFORMATION WHICH IS PROPRIETARY TO OPW, AND SHOULD BE PROTECTED ACCORDINGLY.

DESCRIPTION: 4" SWIVEL, DI, STYLE 30F

UNLESS OTHERWISE SPECIFIED
TOLERANCES ON DIMENSIONS
3 DECIMALS +/- 0.005
2 DECIMALS +/- 0.015
1 DECIMAL +/- 0.030
ANGLES +/- 1/2 DEG
MACHINED SURFACES 125 RMS MAX

SIGNATURES		MO-DA-YR	REV:
DRAWN:	SCK	01/31/07	-
CHECKED:	-	-	SIZE:
MATERIAL:	DUCTILE IRON	WEIGHT:	-

PART NUMBER:	3830F-04XX
SCALE: 0.350	
SHEET 1 OF 1	

OPW Engineered Systems
A **DOVER** Resources Company
Lebanon, Ohio 45036 USA

3D GENERATED DRAWING