

A

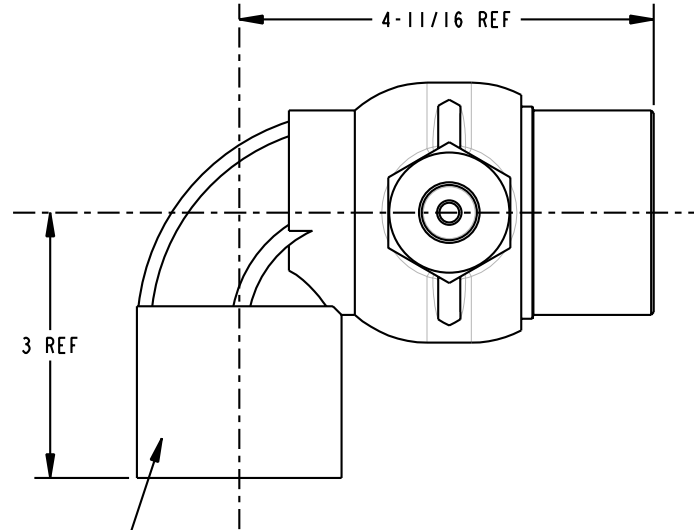
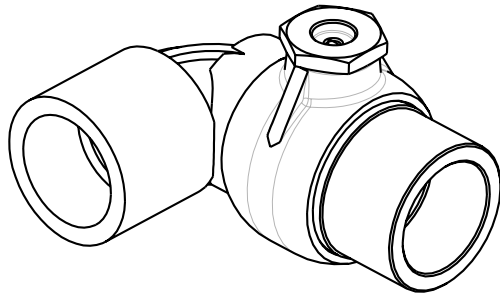
B

C

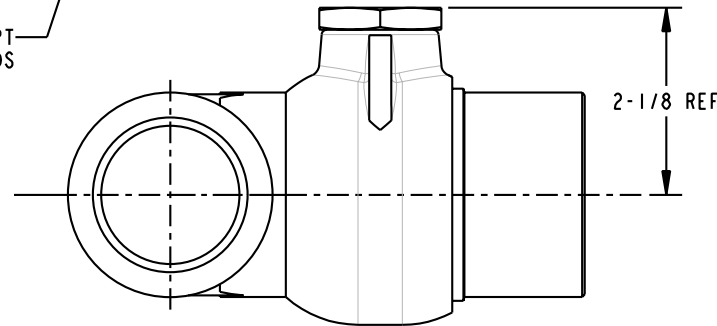
D

THIS DRAWING IS NOT TO BE SCALED. FOR ADDITIONAL INFORMATION. PLEASE CONTACT OUR ENGINEERING DEPT.

REVISIONS					
LTR	ECN #	DESCRIPTION	DRAWN	APPROVED	DATE
-	-	-	-	-	-



1-1/2" - 11-1/2 FNPT BOTH ENDS



**CONFIDENTIAL** THIS DOCUMENT CONTAINS INFORMATION WHICH IS PROPRIETARY TO OPW, AND SHOULD BE PROTECTED ACCORDINGLY.

DESCRIPTION: 1-1/2" SWIVEL, SST

UNLESS OTHERWISE SPECIFIED  
 TOLERANCES ON DIMENSIONS  
 3 DECIMALS +/- 0.005  
 2 DECIMALS +/- 0.015  
 1 DECIMAL +/- 0.030  
 ANGLES +/- 1/2 DEG  
 MACHINED SURFACES 125 RMS MAX

SIGNATURES		MO-DA-YR	REV:
DRAWN:	SCK	03/05/09	-
CHECKED:	-	-	-
MATERIAL:	SST	WEIGHT:	-

PART NUMBER:	3730-015X
SCALE:	0.700
SHEET	1 OF 1

**OPW** Engineered Systems  
 A **DOVER** Resources Company  
 Lebanon, Ohio 45036 USA  
 3D GENERATED DRAWING

A

B

C

D