

A

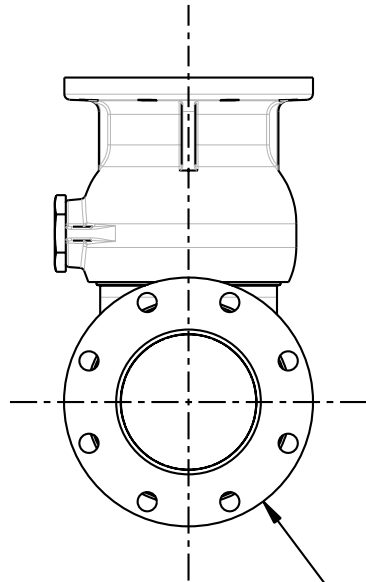
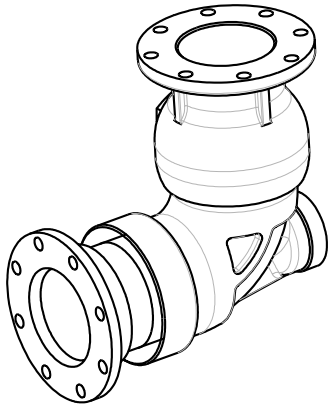
B

C

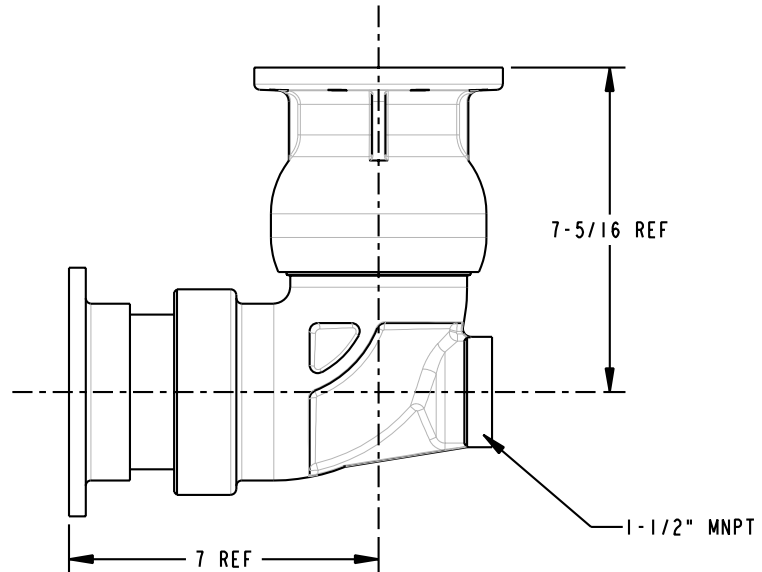
D

THIS DRAWING IS NOT TO BE SCALED. FOR ADDITIONAL INFORMATION, PLEASE CONTACT OUR ENGINEERING DEPT.

REVISIONS				DRAWN	APPROVED	DATE
LTR	ECN #	DESCRIPTION				
-	-	-	-	-	-	-



Ø5-5/8 REF
3" - TTMA FLANGE
BOTH ENDS



CONFIDENTIAL THIS DOCUMENT CONTAINS INFORMATION WHICH IS PROPRIETARY TO OPW, AND SHOULD BE PROTECTED ACCORDINGLY.

DESCRIPTION: 3" SWIVEL, ALUM, FLUOROCARBON

SIGNATURES		MO-DA-YR	REV:
DRAWN: TES		-	-
CHECKED: -		-	SIZE: C
MATERIAL: ALUM	WEIGHT:		

PART NUMBER:
3635FT-0302
SCALE: 0.350

OPW Engineered Systems
A **DOVER** Resources Company
Lebanon, Ohio 45036 USA

SHEET 1 OF 1
3D GENERATED DRAWING

A

B

C

D