

A

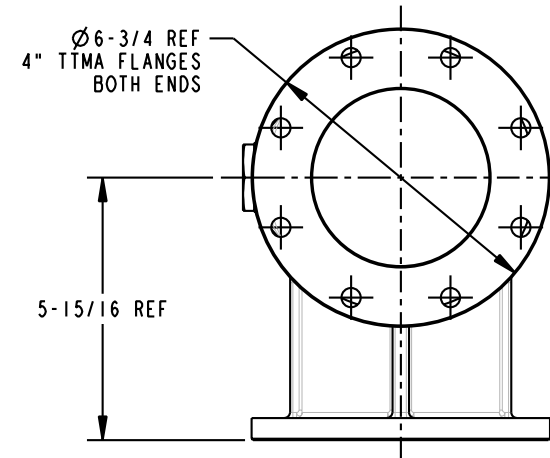
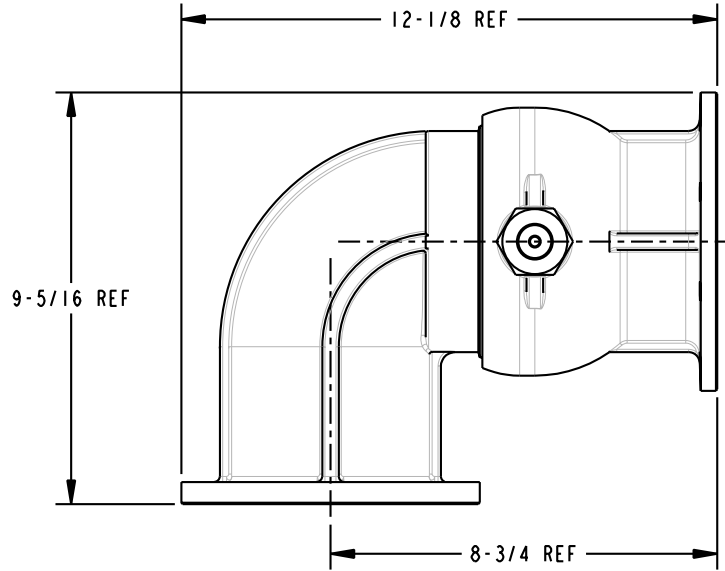
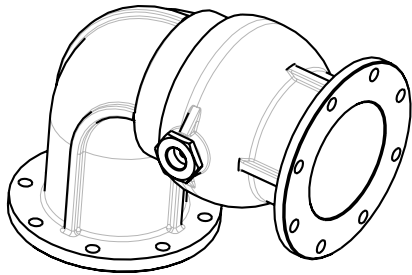
B

C

D

THIS DRAWING IS NOT TO BE SCALED. FOR ADDITIONAL INFORMATION, PLEASE CONTACT OUR ENGINEERING DEPT.

REVISIONS					
LTR	ECN #	DESCRIPTION	DRAWN	APPROVED	DATE
-	-	-	JPR		08-06-09



\*\*\*SWIVEL ASSEMBLED WITH CFT BODY AND DFT TAIL\*\*\*

<b>CONFIDENTIAL</b> THIS DOCUMENT CONTAINS INFORMATION WHICH IS PROPRIETARY TO OPW, AND SHOULD BE PROTECTED ACCORDINGLY.		DESCRIPTION: 4" SWIVEL, ALUM	
UNLESS OTHERWISE SPECIFIED TOLERANCES ON DIMENSIONS 3 DECIMALS +/- 0.005 2 DECIMALS +/- 0.015 1 DECIMAL +/- 0.030 ANGLES +/- 1/2 DEG MACHINED SURFACES 125 RMS MAX	SIGNATURES		REV: -
	DRAWN: JPR	MO-DA-YR: 08-06-09	PART NUMBER:
	CHECKED: -		SIZE: C
	MATERIAL: ALUM	WEIGHT: -	SCALE: 0.350 SHEET 1 OF 1
		 A DOVER Resources Company Lebanon, Ohio 45036 USA 3D GENERATED DRAWING	

A

B

C

D