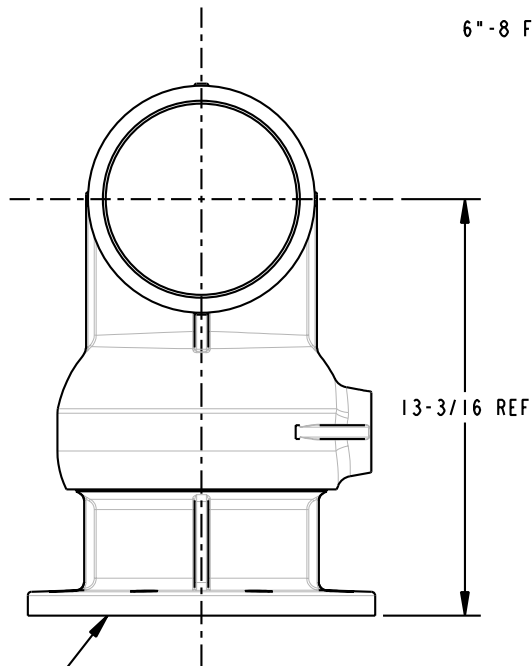
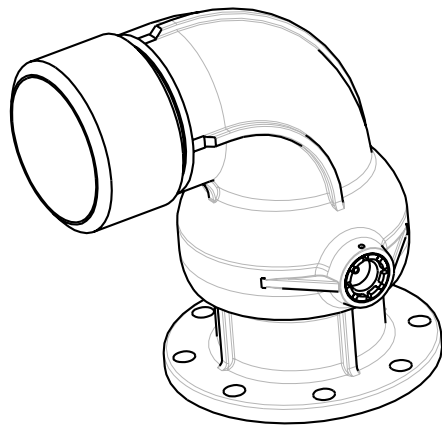


THIS DRAWING IS NOT TO BE SCALED. FOR ADDITIONAL INFORMATION. PLEASE CONTACT OUR ENGINEERING DEPT.

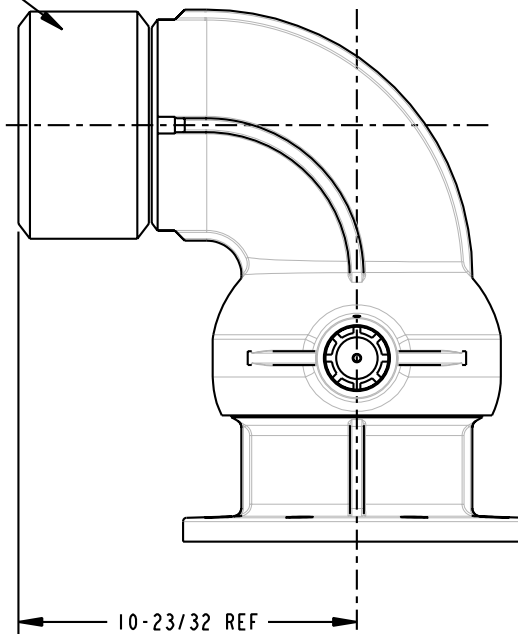
REVISIONS				DRAWN	APPROVED	DATE
LTR	ECN #	DESCRIPTION				
-	-	-	-	-	-	-



150# FLANGE

13-3/16 REF

6" - 8 FNPT



10-23/32 REF

**CONFIDENTIAL** THIS DOCUMENT CONTAINS INFORMATION WHICH IS PROPRIETARY TO OPW, AND SHOULD BE PROTECTED ACCORDINGLY.

DESCRIPTION: 6" SWIVEL, ALUM, STYLE 30FO

SIGNATURES		MO-DA-YR	REV:
DRAWN:	SCK	12/28/07	-
CHECKED:	-	-	-
MATERIAL:	ALUM	WEIGHT:	-

PART NUMBER:	<b>3630FO-06XX</b>
SCALE: 0.250	
SHEET 1 OF 1	

**OPW** Engineered Systems  
 A **DOVER** Resources Company  
 Lebanon, Ohio 45036 USA

3D GENERATED DRAWING