

A

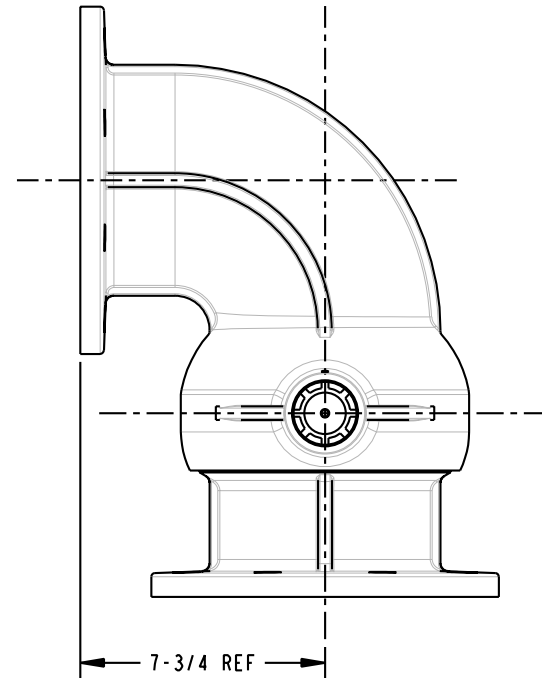
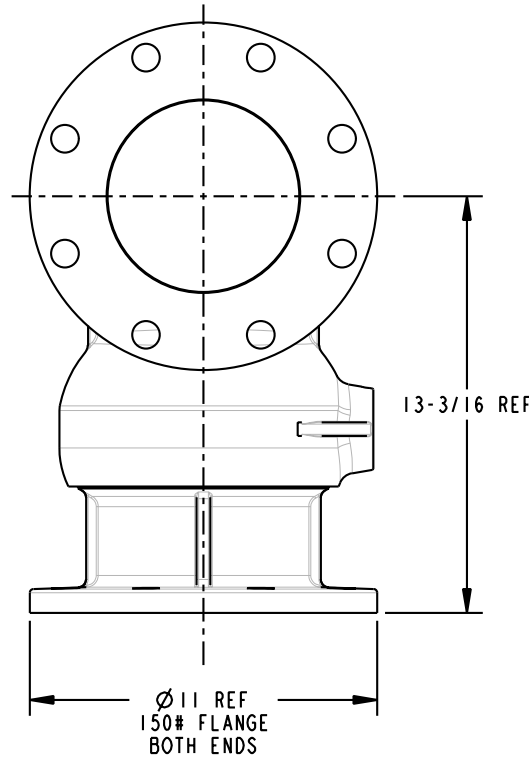
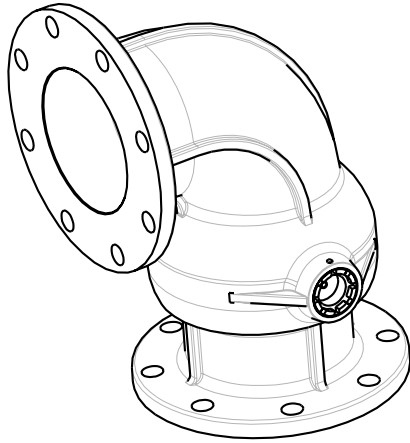
B

C

D

THIS DRAWING IS NOT TO BE SCALED. FOR ADDITIONAL INFORMATION. PLEASE CONTACT OUR ENGINEERING DEPT.

REVISIONS				DRAWN	APPROVED	DATE
LTR	ECN #	DESCRIPTION				
-	-	-	-	-	-	-



CONFIDENTIAL THIS DOCUMENT CONTAINS INFORMATION WHICH IS PROPRIETARY TO OPW, AND SHOULD BE PROTECTED ACCORDINGLY.

DESCRIPTION: 6" SWIVEL, ALUM, STYLE 30F

SIGNATURES		MO-DA-YR	REV:
DRAWN:	SCK	02/23/10	-
CHECKED:	-	-	-
MATERIAL:	ALUM	WEIGHT:	-

PART NUMBER:	3630F-06XX
SCALE: 0.250	
SHEET 1 OF 1	

OPW Engineered Systems
 A **DOVER** Resources Company
 Lebanon, Ohio 45036 USA

3D GENERATED DRAWING

A

B

C

D