

A

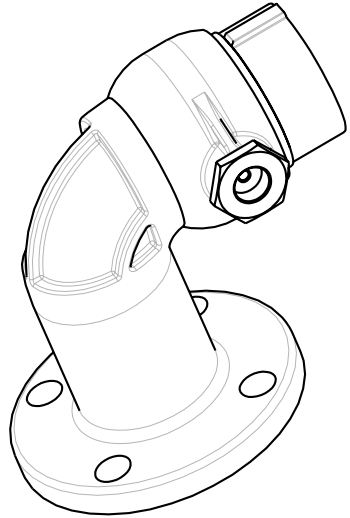
B

C

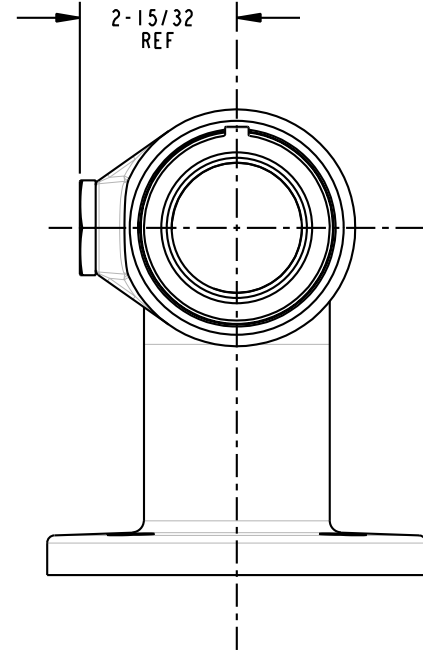
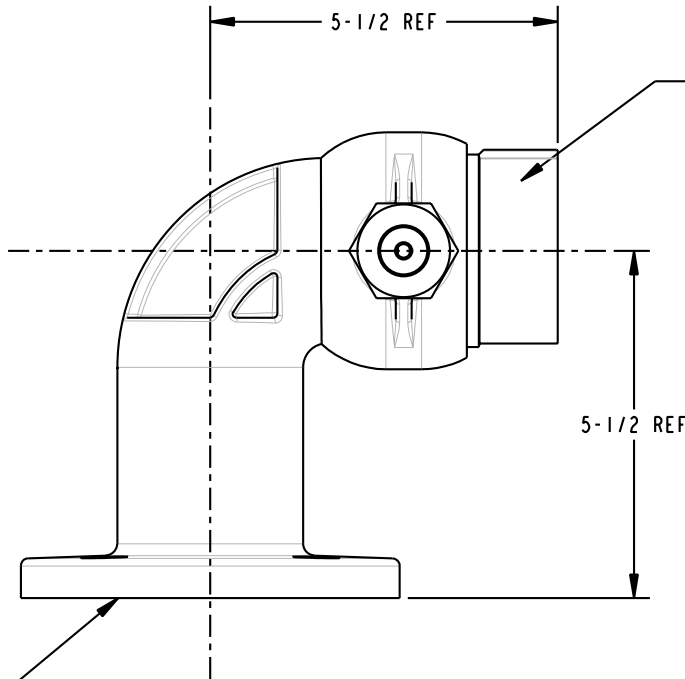
D

THIS DRAWING IS NOT TO BE SCALED. FOR ADDITIONAL INFORMATION. PLEASE CONTACT OUR ENGINEERING DEPT.

REVISIONS				DRAWN	APPROVED	DATE
LTR	ECN #	DESCRIPTION				
-	-	-	-	-	-	-



SCALE 0.400



2" - 150# FLANGE

CONFIDENTIAL THIS DOCUMENT CONTAINS INFORMATION WHICH IS PROPRIETARY TO OPW, AND SHOULD BE PROTECTED ACCORDINGLY.

DESCRIPTION: 2" SWIVEL, ALUM, AF-BODY w/E-TAIL

SIGNATURES		MO-DA-YR	REV:
DRAWN: SCK		09/07/06	-
CHECKED:			SIZE: C
MATERIAL: ALUM	WEIGHT:		

PART NUMBER:	36300F-02XX
SCALE:	0.500
SHEET:	1 OF 1

OPW Engineered Systems
 A **DOVER** Resources Company
 Lebanon, Ohio 45036 USA
 3D GENERATED DRAWING

A

B

C

D