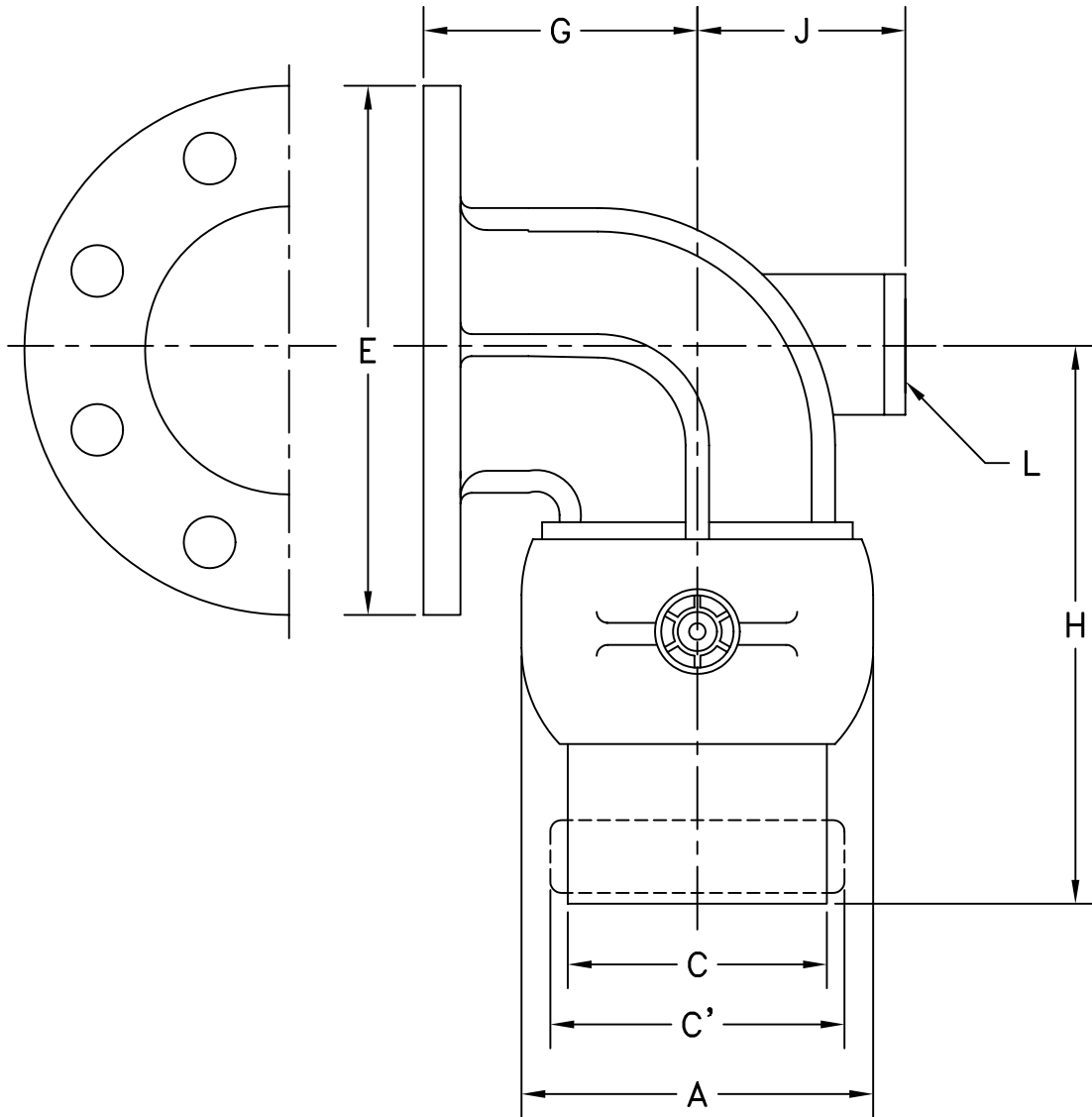


MATERIAL:
ALUMINUM

OPW Engineered Systems

STYLE 35FTO SWIVEL JOINT-CAST



SIZE	4"
A	6-1/16"
C	5"
C'	5-53/64"
E	6-3/4"
G	5-13/16"
H	7-11/16"
J	3-1/8"
L	2"
TTMA \varnothing BOLT CIRCLE	6-5/8"
TTMA NO. BOLTS - \varnothing	8 (7/16")