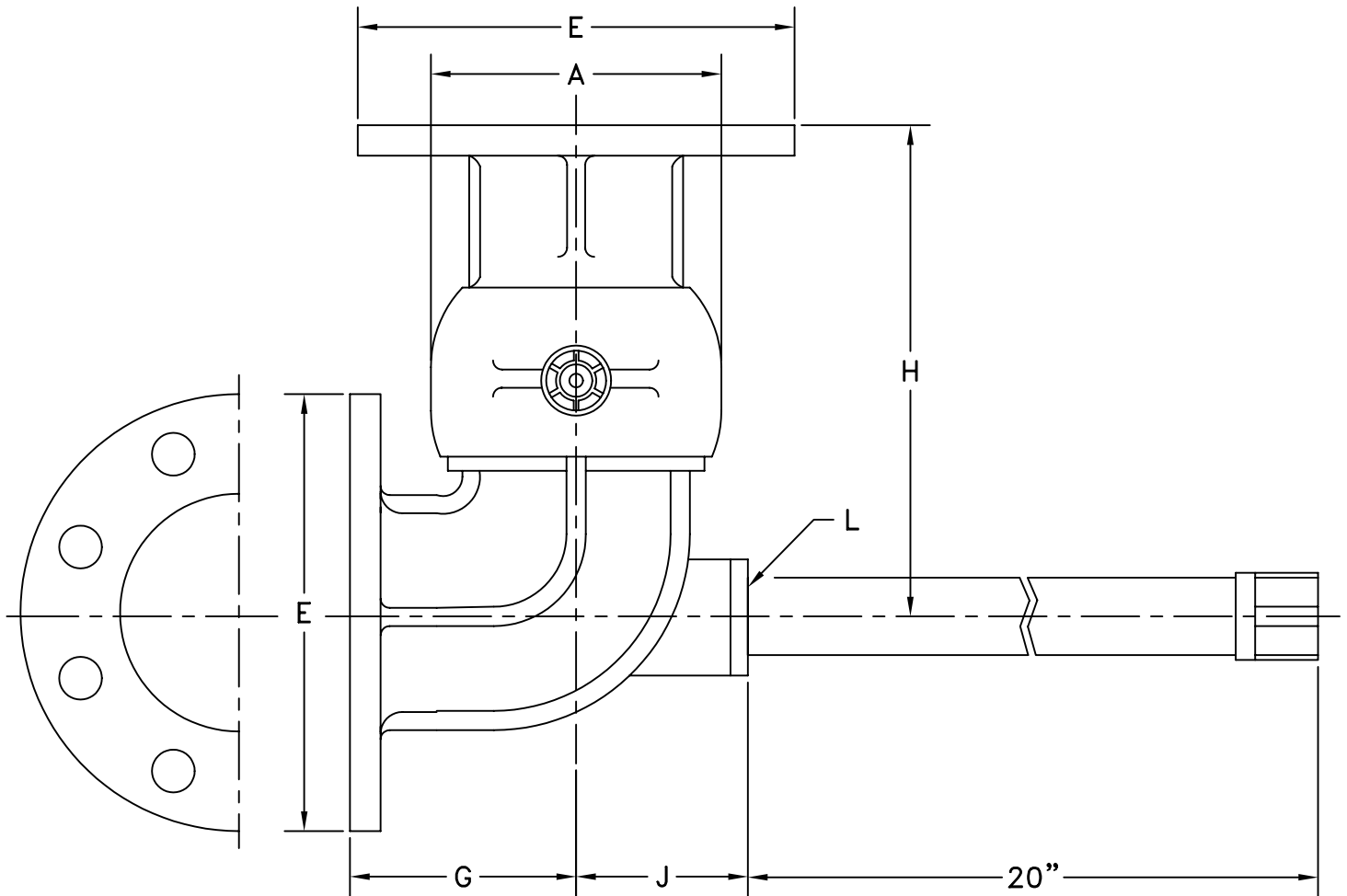


MATERIAL:
ALUMINUM

OPW Engineered Systems

STYLE 35FTH SWIVEL JOINT-CAST



SIZE	4"
A	6-1/16"
E	6-3/4"
G	5-13/16"
H	8-1/2"
J	3-1/8"
L	2"
TTMA ϕ BOLT CIRCLE	6-5/8"
TTMA NO. BOLTS - ϕ	8 (7/16")