

A

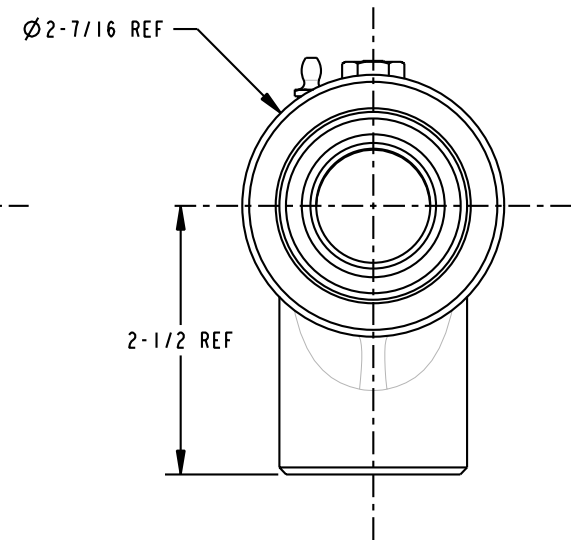
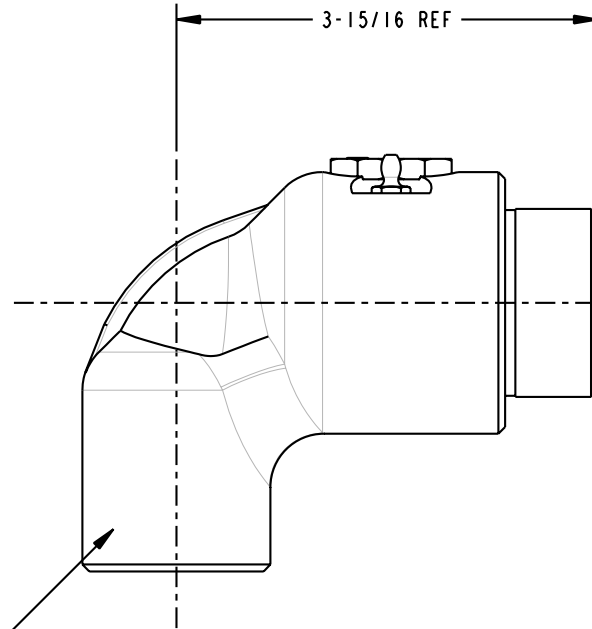
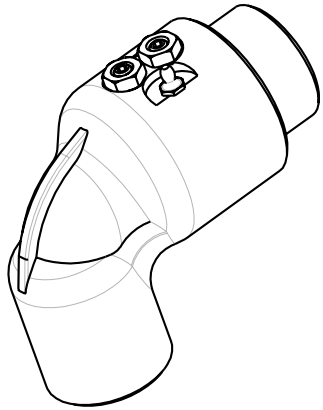
B

C

D

THIS DRAWING IS NOT TO BE SCALED. FOR ADDITIONAL INFORMATION, PLEASE CONTACT OUR ENGINEERING DEPT.

REVISIONS				DRAWN	APPROVED	DATE
LTR	ECN #	DESCRIPTION				
-	-	-	-	-	-	-



1" - 11-1/2 FNPT
BOTH ENDS

CONFIDENTIAL THIS DOCUMENT CONTAINS INFORMATION WHICH IS PROPRIETARY TO OPW, AND SHOULD BE PROTECTED ACCORDINGLY.			DESCRIPTION: 1" SWIVEL, CST		
UNLESS OTHERWISE SPECIFIED TOLERANCES ON DIMENSIONS 3 DECIMALS +/- 0.005 2 DECIMALS +/- 0.015 1 DECIMAL +/- 0.030 ANGLES +/- 1/2 DEG MACHINED SURFACES 125 RMS MAX	SIGNATURES		MO-DA-YR	REV:	PART NUMBER: 3230-010X
	DRAWN: SCK		03/06/09	-	
	CHECKED:			SIZE:	SCALE: 0.850 SHEET 1 OF 1
	MATERIAL: CST		WEIGHT:	C	
 A DOVER Resources Company Lebanon, Ohio 45036 USA 3D GENERATED DRAWING					

A

B

C

D

1

1

2

2

3

3

4

4