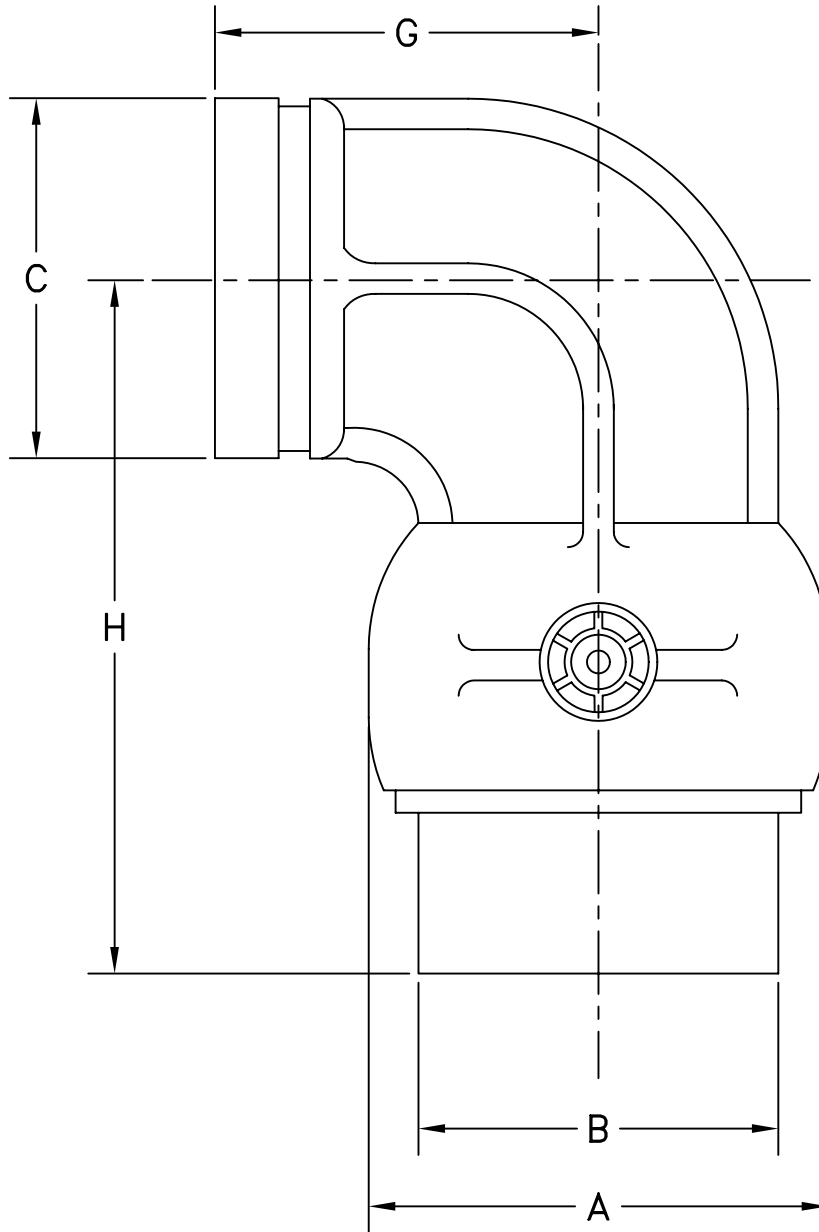


MATERIAL:  
ALUMINUM (1-1/2" X 2")

OPW Engineered Systems

STYLE 30VOG SWIVEL JOINT-CAST



SIZE	1-1/2" X 2"
A	2-15/16"
B	2-3/8"
C	2-3/8"
G	2-15/16"
H	4-11/16"