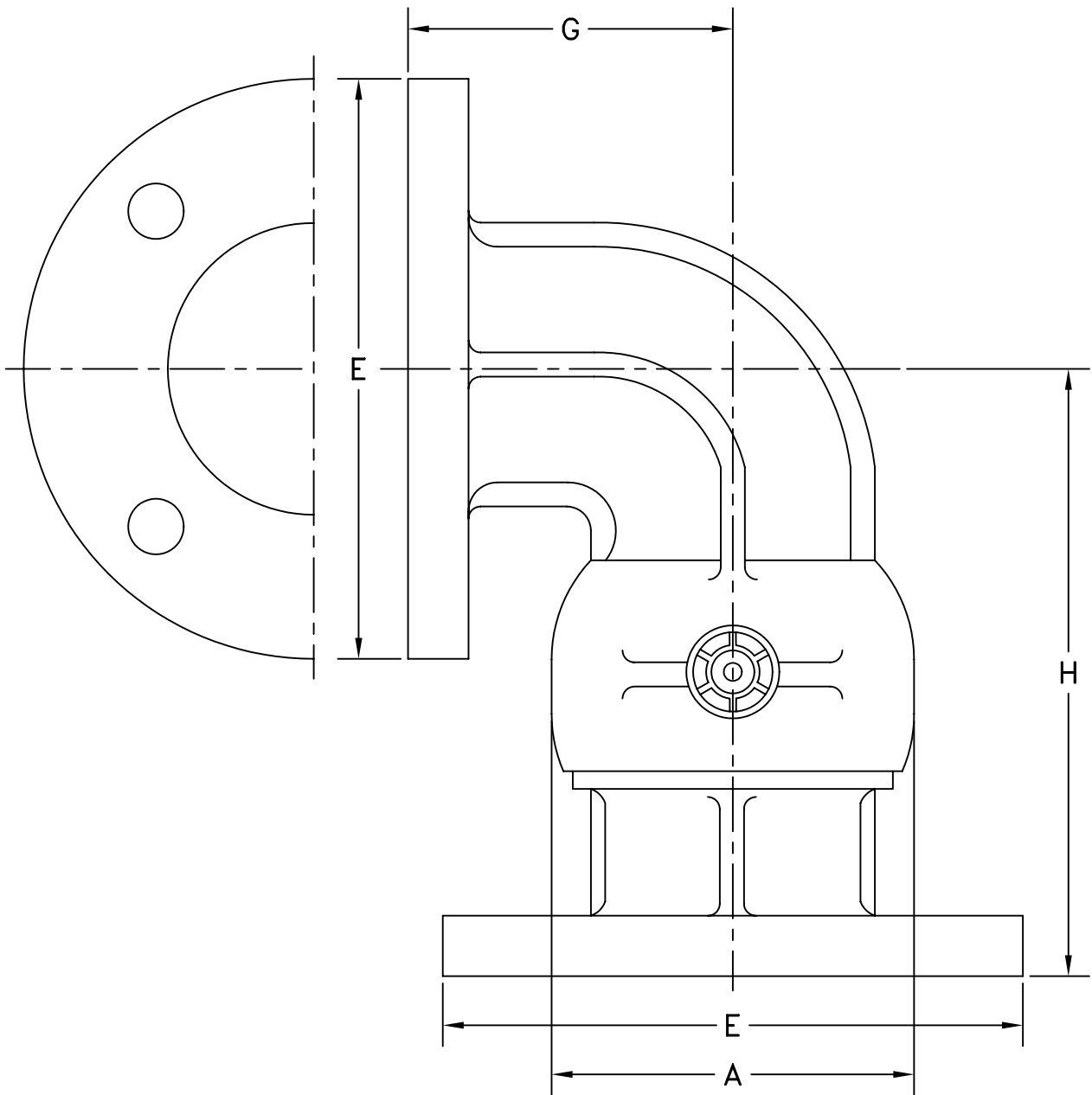


MATERIAL:  
 ALUMINUM (3" 4" 6")  
 DUCTILE IRON (3" 4")

OPW Engineered Systems

STYLE 30F SWIVEL JOINT—CAST



SIZE	3"	4"	6"
A	4-7/8"	6-1/16"	9-1/8"
E	7-1/2"	9"	11"
G	5"	6-1/16"	9"
H	6-13/16"	8-3/32"	12-7/8"
∅ BOLT CIRCLE	6"	7-1/2"	9-1/2"
NO. BOLTS - ∅	(4) 5/8"	(8) 5/8"	(8) 3/4"