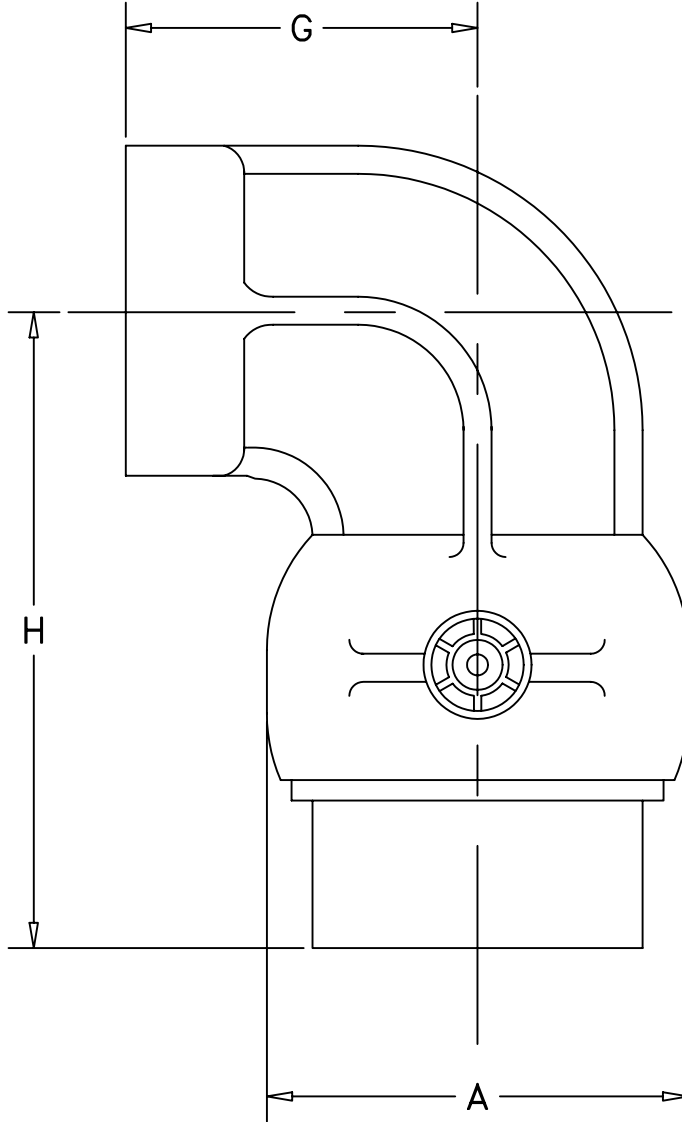


MATERIAL:
 CARBON STEEL
 STAINLESS STEEL

OPW Engineered Systems

STYLE 30 SWIVEL JOINT—CAST



SIZE	1-1/4"	1-1/2"	2"
A	2-15/16"	2-15/16"	3-3/4"
H	4-11/16"	4-11/16"	6-5/8"
G	3"	3"	3-1/8"