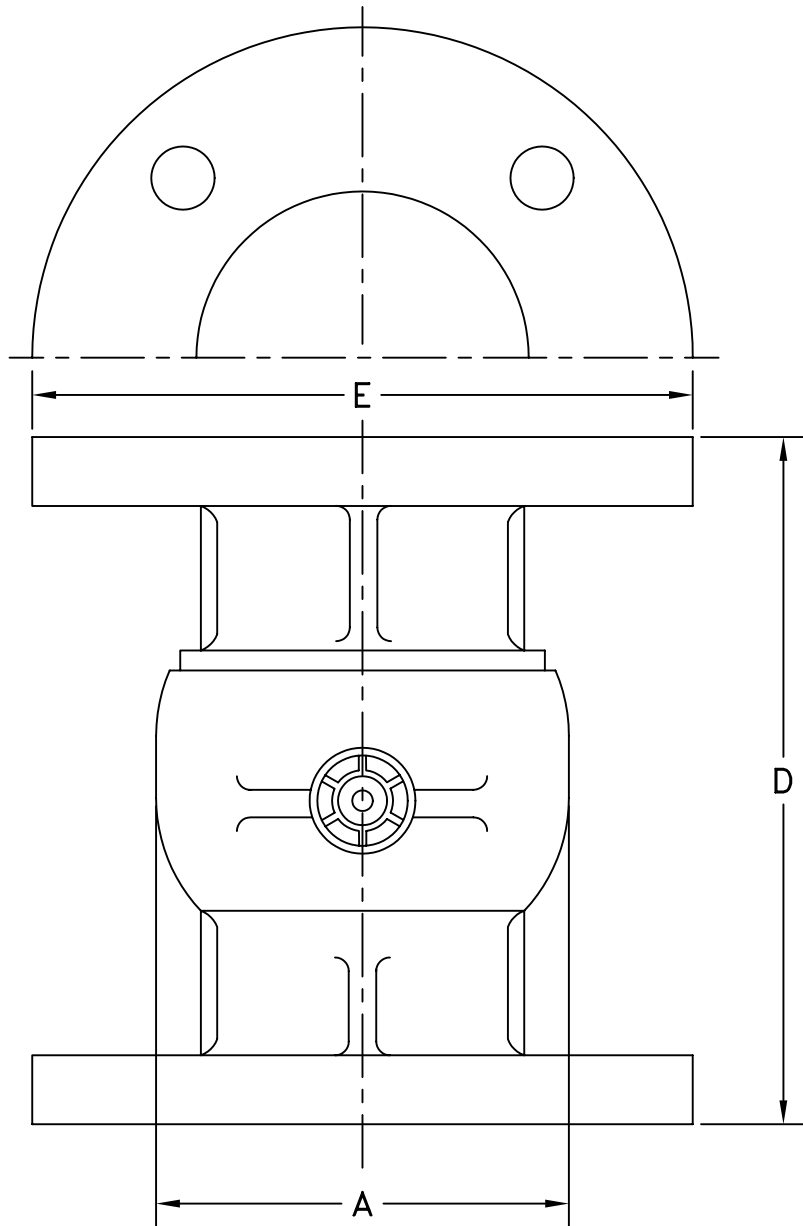


MATERIAL:
 ALUMINUM (3" 4" 6")
 DUCTILE IRON (3" 4")

OPW Engineered Systems

STYLE 20F SWIVEL JOINT—CAST



SIZE	3"	4"	6"
A	4-7/8"	6-1/16"	9-1/8"
D	6-19/32"	7-19/32"	9-15/16"
E	7-1/2"	9"	11"
∅ BOLT CIRCLE	6"	7-1/2"	9-1/2"
NO. BOLTS - ∅	(4) 5/8"	(8) 5/8"	(8) 3/4"