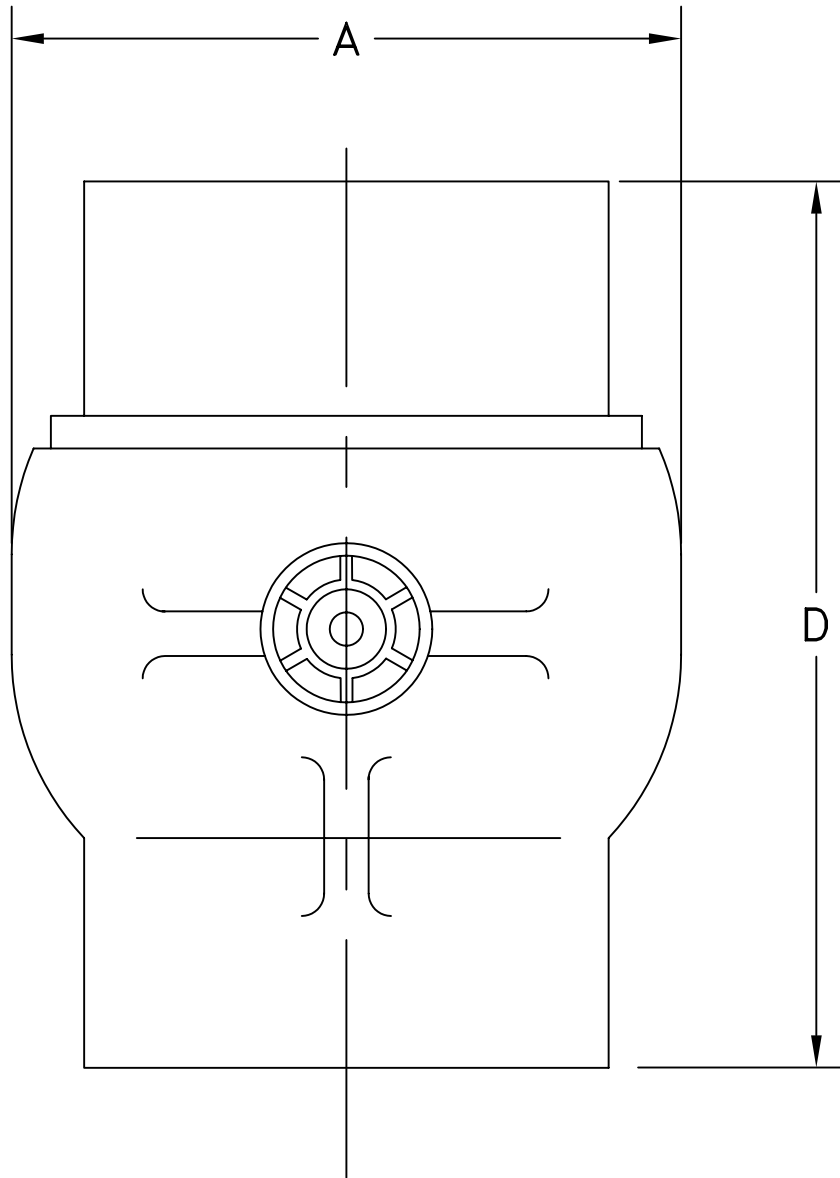


MATERIAL:
 ALUMINUM
 BRONZE
 DUCTILE IRON
 CARBON STEEL
 STAINLESS STEEL

OPW Engineered Systems

STYLE 20 SWIVEL JOINT—CAST



SIZE	1-1/4"	1-1/2"	2"	3"	4"
A	2-15/16"	2-15/16"	3-3/4"	4-7/8"	6-1/16"
D	4-5/8"	4-5/8"	5-11/16"	6-5/8"	7-3/16"