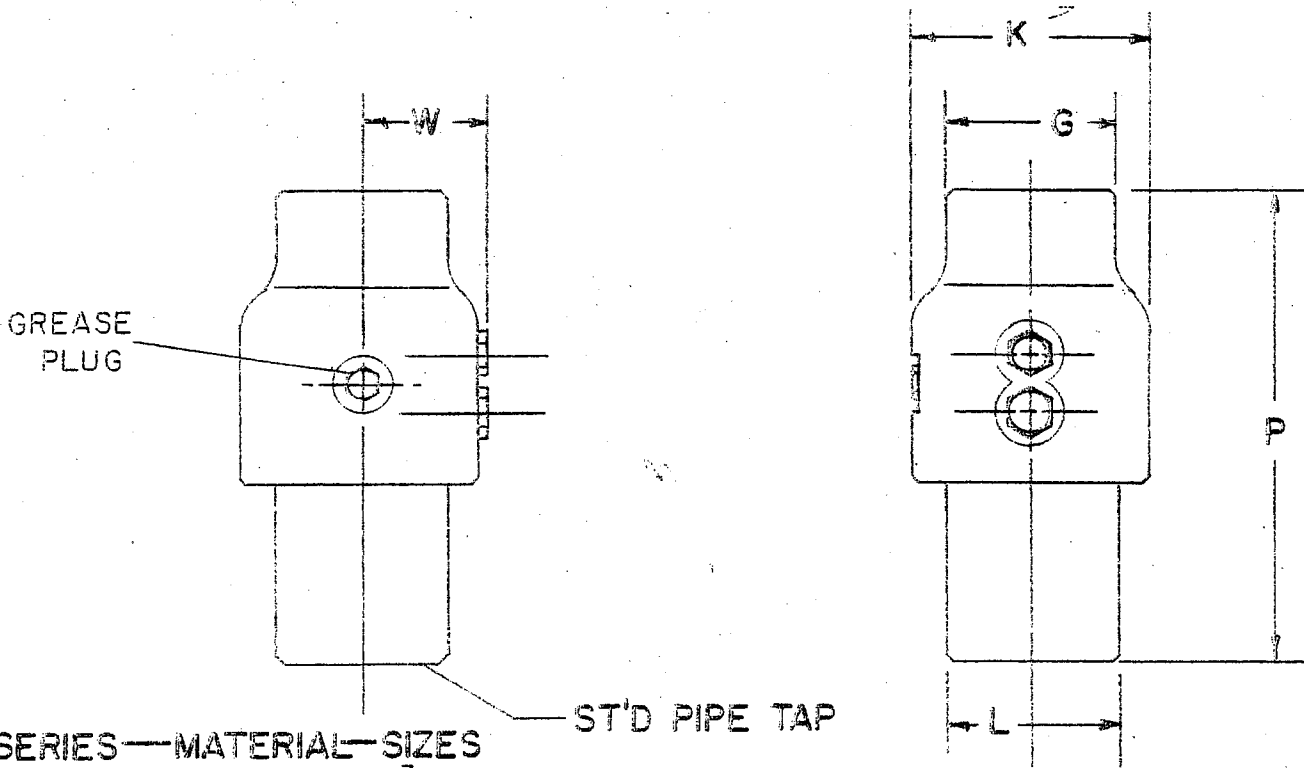


BALL BEARING SWIVEL JOINT
STYLE—20



SERIES—MATERIAL—SIZES

- 3300 — BRONZE — $\frac{3}{4}$ & 1
 3200 — STEEL — $\frac{3}{4}$ & 1 3600 — ALUM. — $\frac{3}{4}$ & 1
 3700 — S. STEEL — $\frac{3}{4}$ & 1
 3800 — DUCTILE IRON — $\frac{3}{4}$ & 1

ST'D PIPE TAP

DIMENSIONS IN INCHES

SIZE OF SWIVEL JOINT		$\frac{3}{4}$	1
G	DIA. OF PIPE END (BODY)	$1\frac{3}{4}$	$1\frac{3}{4}$
K	DIA. OF BODY	$2\frac{7}{16}$	$2\frac{7}{16}$
L	DIA. OF PIPE END (TAIL)	$1\frac{3}{4}$	$1\frac{3}{4}$
P	OVERALL LENGTH OF SWIVEL JOINT	$3\frac{15}{16}$	$3\frac{15}{16}$
W	ϕ OF SWIVEL JOINT TO HEAD OF PLUG	$1\frac{5}{16}$	$1\frac{5}{16}$

*4 $\frac{5}{16}$ DIM. P 3300 & 3600 SERIES ONLY