

A

B

C

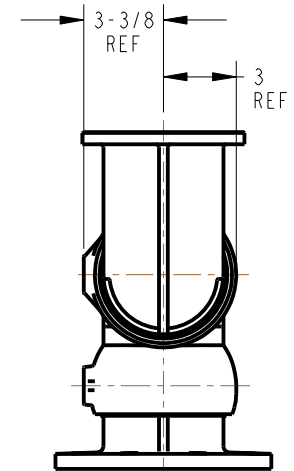
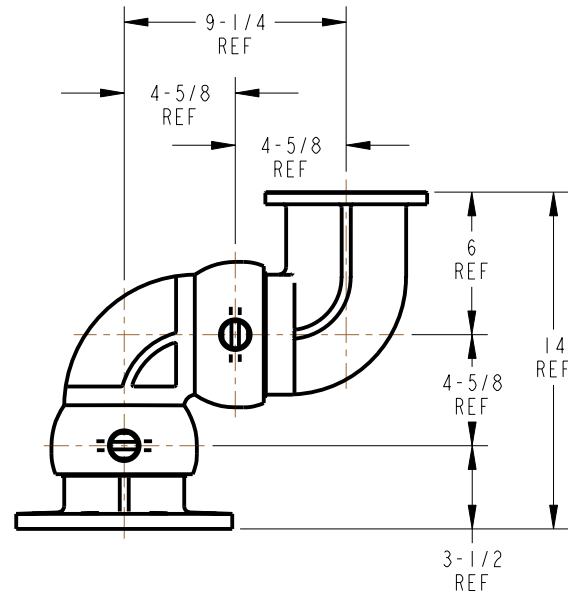
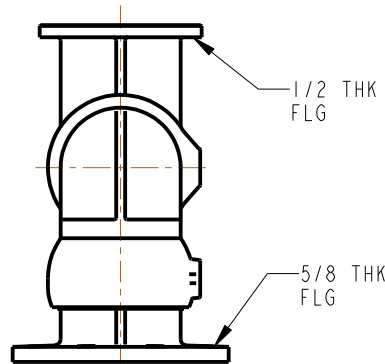
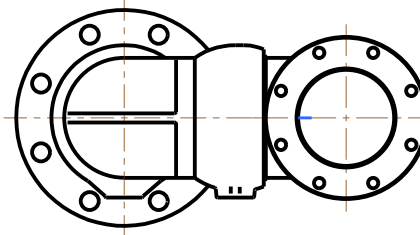
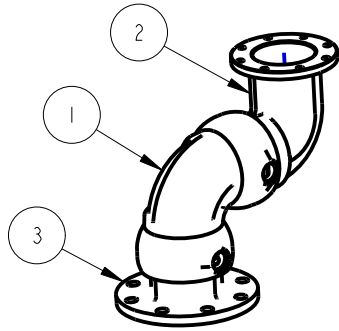
D

THIS DRAWING IS NOT TO BE SCALED. FOR ADDITIONAL INFORMATION, PLEASE CONTACT OUR ENGINEERING DEPT.

REVISIONS

LTR	ECN #	DESCRIPTION	DRAWN	APPROVED	DATE
-	-	-	-	-	-

ITEM	QTY	UM	PART NUMBER	DESCRIPTION
3	1	EA	D-00597-A	TAIL, 3600, EF, 4"
2	1	EA	E-00206-A	TAIL, 3600, DFT, 4"
1	1	EA	E-00115-A	BODY, 3600, B, 4"



CONFIDENTIAL THIS DOCUMENT CONTAINS INFORMATION WHICH IS PROPRIETARY TO OPW, AND SHOULD BE PROTECTED ACCORDINGLY.

DESCRIPTION: 4" SWIVEL, ALUM, 5/8FLG X 1/2FLG

SIGNATURES		MO-DA-YR	REV:
DRAWN:	DAD	01/12/12	-
CHECKED:	-	-	SIZE:
MATERIAL:	WEIGHT:	-#	C
ALUM			

PART NUMBER:	3650FT-0400
SCALE:	0.190
SHEET	1 OF 1

OPW® **Engineered Systems**
PART OF OPW FLUID TRANSFER GROUP
100% COMPANY

3D GENERATED DRAWING

A

B

C

D