

A

B

C

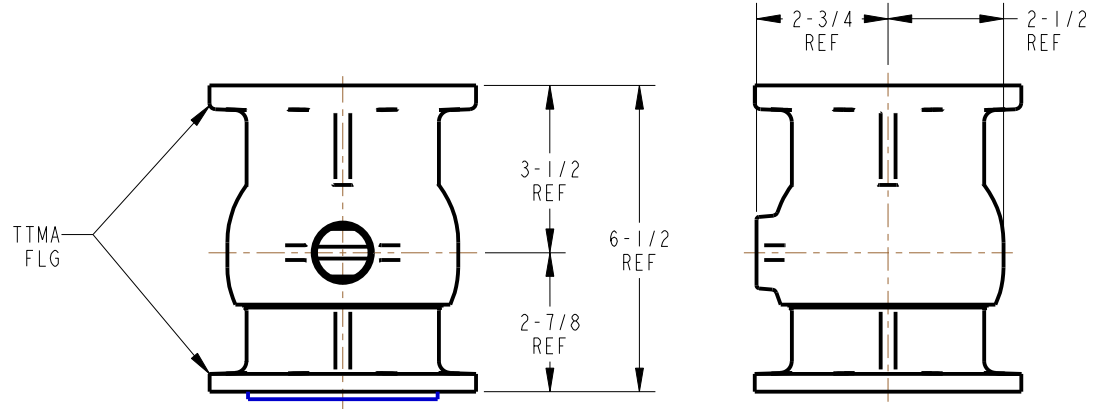
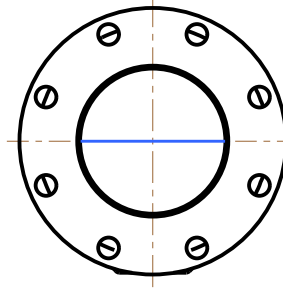
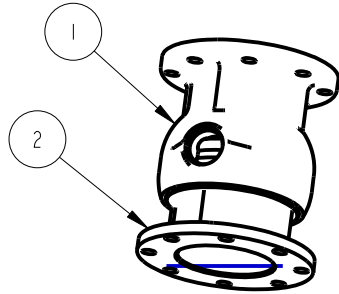
D

THIS DRAWING IS NOT TO BE SCALED. FOR ADDITIONAL INFORMATION. PLEASE CONTACT OUR ENGINEERING DEPT.

REVISIONS

LTR	ECN #	DESCRIPTION	DRAWN	APPROVED	DATE
-	-	-	-	-	-

ITEM	QTY	UM	PART NUMBER	DESCRIPTION
2	1	EA	D-00656-A	TAIL, 3600, ETF, 3"
1	1	EA	C-21159-A	BODY, CFT, 3600, 3"



CONFIDENTIAL THIS DOCUMENT CONTAINS INFORMATION WHICH IS PROPRIETARY TO OPW, AND SHOULD BE PROTECTED ACCORDINGLY.

DESCRIPTION: 3" SWIVEL, ALUM, TTMA X TTMA

SIGNATURES		MO-DA-YR	REV:
DRAWN:	DAD	01/05/12	-
CHECKED:	-	-	SIZE:
MATERIAL:	WEIGHT:	-#	C
ALUM			

PART NUMBER:	3620FT-0300
SCALE:	0.375
SHEET	1 OF 1

OPW® **Engineered Systems**
PART OF OPW FLUID TRANSFER GROUP
A DOW COMPANY

3D GENERATED DRAWING

A

B

C

D