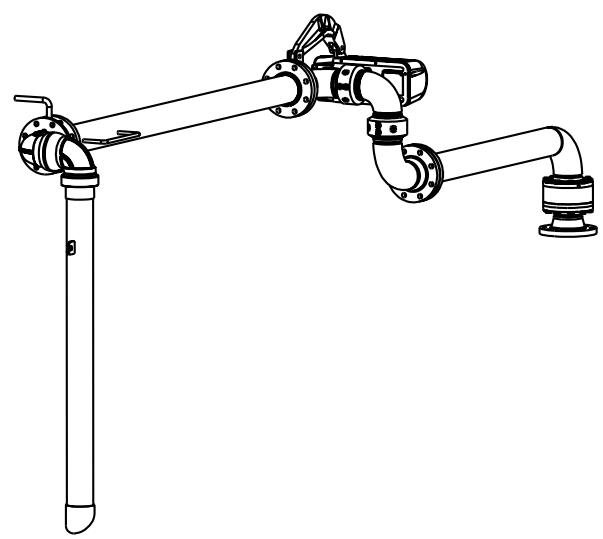
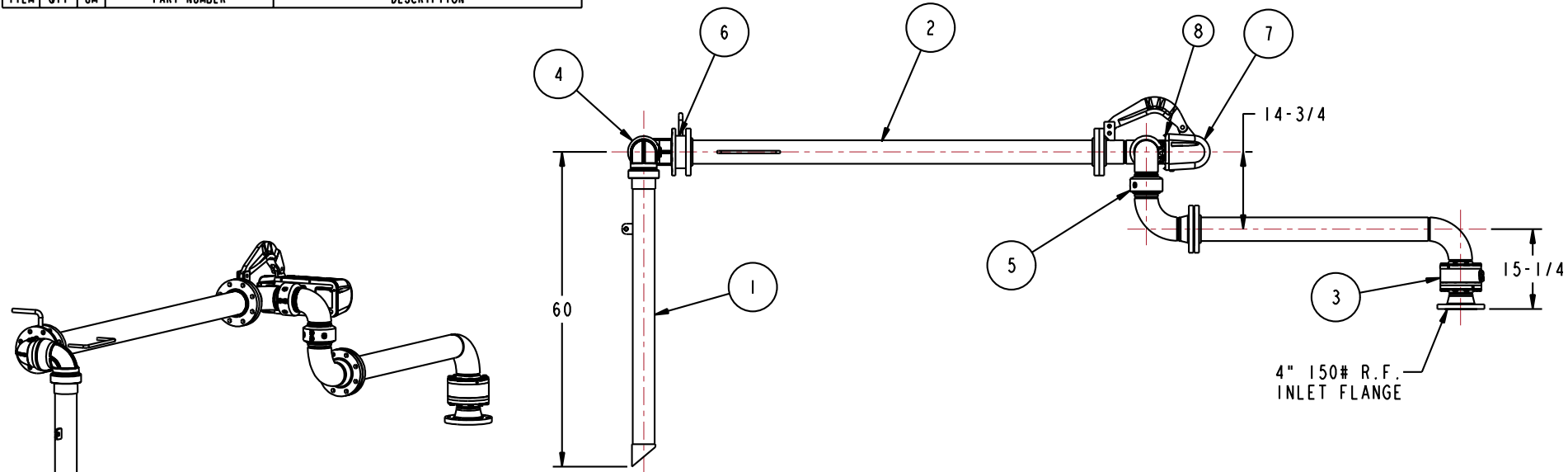
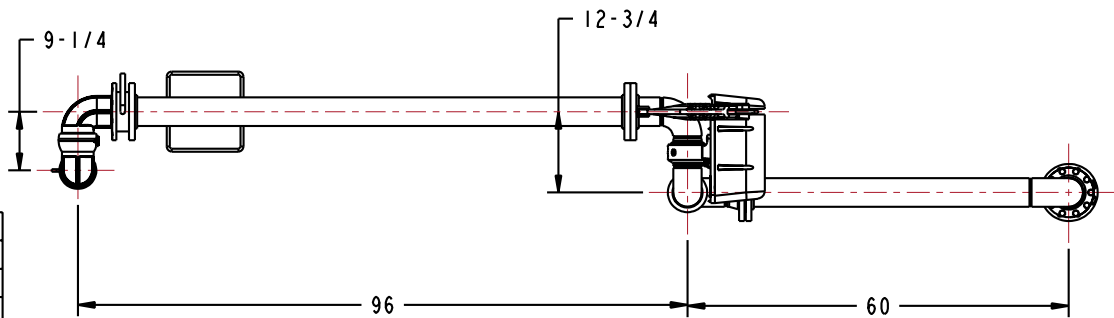


| A | | B | |
|---------------------------|-------------------------|---|--|
| MATERIALS OF CONSTRUCTION | CARBON STEEL & ALUMINUM | | |
| SWIVEL JOINT SEALS | FDA APPROVED | | |
| SWIVEL JOINT LUBE | FDA APPROVED | | |
| PRODUCT | SOYBEAN OIL | | |
| ESTIMATED WEIGHT | 500 LBS | | |
| MOMENT LOAD AT SPRING | 9000 IN-LBS | | |
| MOMENT LOAD AT INLET | 31,000 IN-LBS | | |
| FLANGE GASKETS | KLINGER SIL C5400 | | |
| TEST PRESSURE | 90 PSI | | |
| PRODUCT RETENTION | YES | | |
| WEIGHT BY OTHERS | NO | | |

| ITEM | QTY | UM | PART NUMBER | DESCRIPTION |
|------|-----|----|-------------------|----------------------------------|
| 8 | 1 | EA | 788L-0040 | LOCKDOWN UNIT |
| 7 | 1 | EA | 790C-0050 | EZ ADJUST TORSION SPRING BALANCE |
| 6 | 1 | EA | 4-500-822700H10 | BUTTERFLY VALVE |
| 5 | 1 | EA | 3478FSBL-0405-FDA | 4" SWIVEL, CST |
| 4 | 1 | EA | 3640FO-0405-FDA | 4" SWIVEL, CAST ALUM |
| 3 | 1 | EA | 8430FW | 4" SWIVEL ASSY, ENDURA DSF, CST |
| 2 | 1 | EA | N/A | 4" ALUM PIPE SPOOL W/HANDLES |
| 1 | 1 | EA | N/A | 4" ALUM DROP TUBE W/TIEDOWN |

THIS DRAWING IS NOT TO BE SCALED. FOR ADDITIONAL INFORMATION, PLEASE CONTACT OUR ENGINEERING DEPT.

| REVISIONS | | | | | |
|-----------|-------|-------------|-------|----------|------|
| LTR | ECN # | DESCRIPTION | DRAWN | APPROVED | DATE |
| - | - | - | - | - | - |



CONFIDENTIAL THIS DOCUMENT CONTAINS INFORMATION WHICH IS PROPRIETARY TO OPW, AND SHOULD BE PROTECTED ACCORDINGLY.

DESCRIPTION: 4" LOADING ARM

| | | |
|------------|---------|----------|
| SIGNATURES | | MO-DA-YR |
| DRAWN: BJB | | 4/30/09 |
| CHECKED: | | |
| MATERIAL: | WEIGHT: | |

| | |
|--------------|-------------------|
| REV: - | PART NUMBER: |
| SIZE: D | GT32F-H306 |
| SCALE: 0.070 | SHEET 1 OF 2 |

OPW Engineered Systems
 A **ROBERT** Resources Company
 Lebanon, Ohio 45036 USA
 3D GENERATED DRAWING