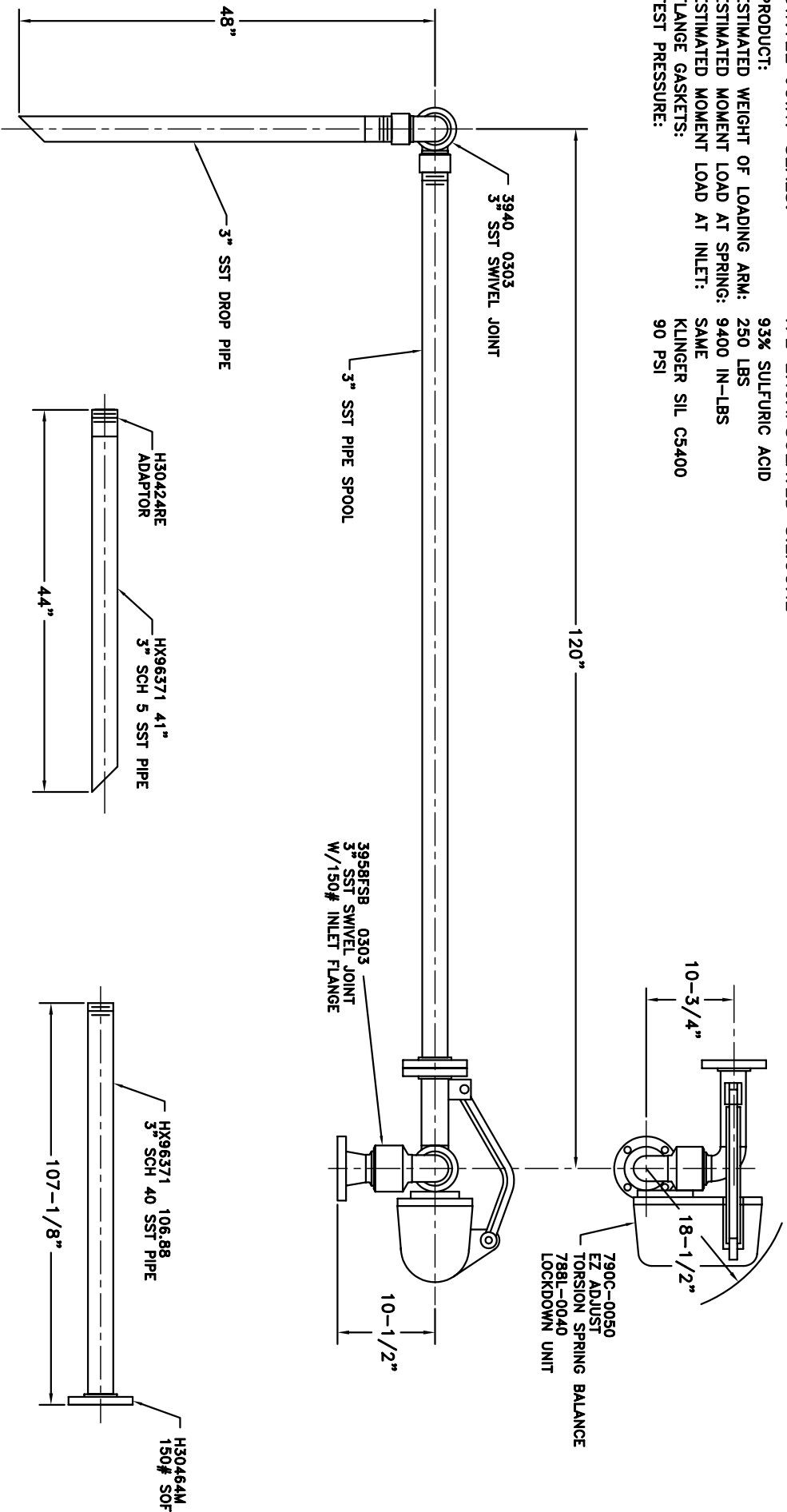


MATERIALS OF CONSTRUCTION: 316L STAINLESS STEEL
SWIVEL JOINT SEALS: TFE ENCAPSULATED SILICONE

PRODUCT: 93% SULFURIC ACID
ESTIMATED WEIGHT OF LOADING ARM: 250 LBS
ESTIMATED MOMENT LOAD AT SPRING: 9400 IN-LBS
ESTIMATED MOMENT LOAD AT INLET: SAME
FLANGE GASKETS: KLINGER SIL CS400
TEST PRESSURE: 90 PSI



- H30315M 4 BOLT
- H06092M 4 NUT
- H08979M 4 WASHER
- H04189M 1 GASKET
- H02209PA 1 INSTRUCTION SHEET
- H30446M 1 ALUM NAME PLATE
- H30447M 2 SST TIE BANDS

OPERATION	A	B	C	D
WELD				
MACHINE				
ASSY & TEST				
ASSY ONLY				
TEST ONLY				
PAINT				

3" J32F-G567

OPW
Engineered Systems
 www.opw-es.com

DRAWN BY: BUB
 CHECKED BY:
 QUOTE NO. 18946

SCALE: NONE
 DATE: 2/27/08
 DRAWING NO. SK18946A