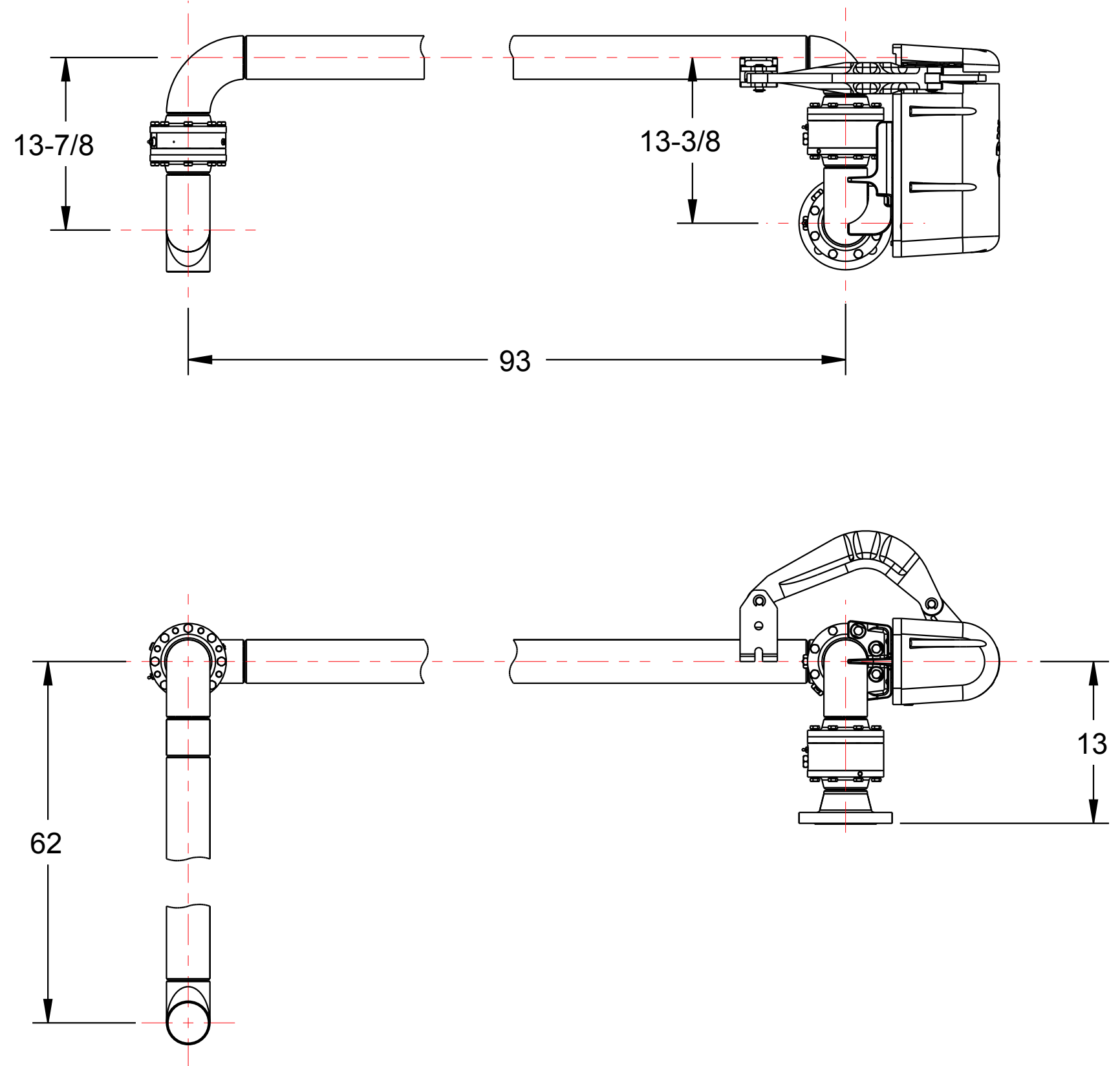
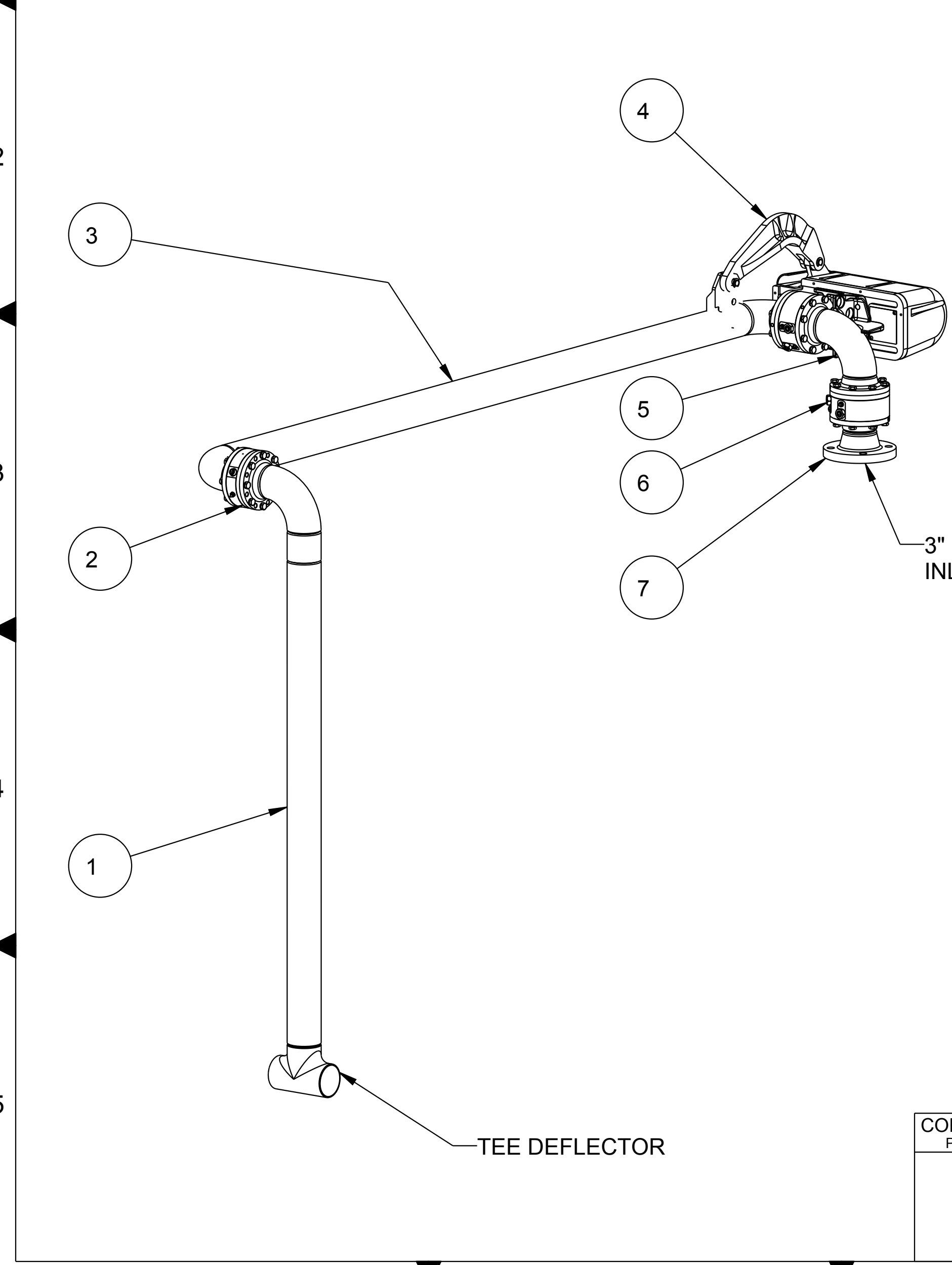


MATERIALS OF CONSTRUCTION	CARBON STEEL
SWIVEL JOINT SEALS	FLUOROCARBON GFLT
PRODUCT	CAUSTIC
ESTIMATED WEIGHT	300 LBS
MOMENT LOAD AT SPRING	8300 IN-LBS
TEST PRESSURE	90 PSI
PRODUCT RETENTION	NO
WEIGHT BY OTHERS	NO
RADIOGRAPHIC INSPECTION	5% FLOW PASSAGE WELDS

THIS DRAWING IS NOT TO BE SCALED. FOR ADDITIONAL INFORMATION, PLEASE CONTACT OUR ENGINEERING DEPT.				REVISIONS		
LTR	ECN #	DESCRIPTION	DRAWN	APPROVED	DATE	
11	1	EA	H32341M	RADIOGRAPHIC INSPECTION REQUIRED		
10	1	EA	HX99565	PIPE PKG, CST, EJ32F-J530		
9	1	EA	LADOC-STD	LOADING ARM, NAME TAG AND HARDWARE		
8	3	EA	LSK-8000-0302	LOADER SEAL KIT, 8000, FLUOROCARBON, 3"		
7	1	EA	C20551	WLDT, SF x F, 3" CST DSF		
6	2	EA	C20561	MODULE, SWIVEL, CST, DSF, 3"		
5	1	EA	C20787	ASM, BT STYLE, DFLH/UFRH, CST, DSF, 3"		
4	1	EA	790B-0030	RIGHT HAND EZ ADJUST 'B' SPRING BALANCE		
3	1	EA	N/A	3" CST DSF PIPE SPOOL		
2	1	EA	C21229	MODULE, SWIVEL, CST, DSF SINGLE, 3"		
1	1	EA	N/A	3" CST DSF DROP PIPE SPOOL		
ITEM	QTY	UM	PART NUMBER	DESCRIPTION		



CONFIDENTIAL THIS DOCUMENT CONTAINS INFORMATION WHICH IS PROPRIETARY TO OPW, AND SHOULD BE PROTECTED ACCORDINGLY.			DESCRIPTION: 3" FIXED REACH LOADING ARM, UFRH		
SIGNATURES		MO-DA-YR	REV:	PART NUMBER:	
DRAWN: BJB		3/2/11	-	EJ32F-J530	
CHECKED: -		-	SIZE:	SCALE: 0.100 SHEET 1 OF 3	
MATERIAL:		WEIGHT:	D	3D GENERATED DRAWING	

