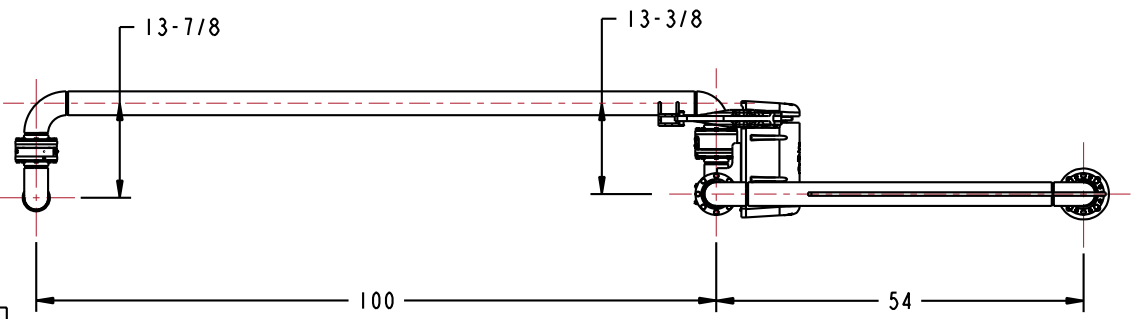


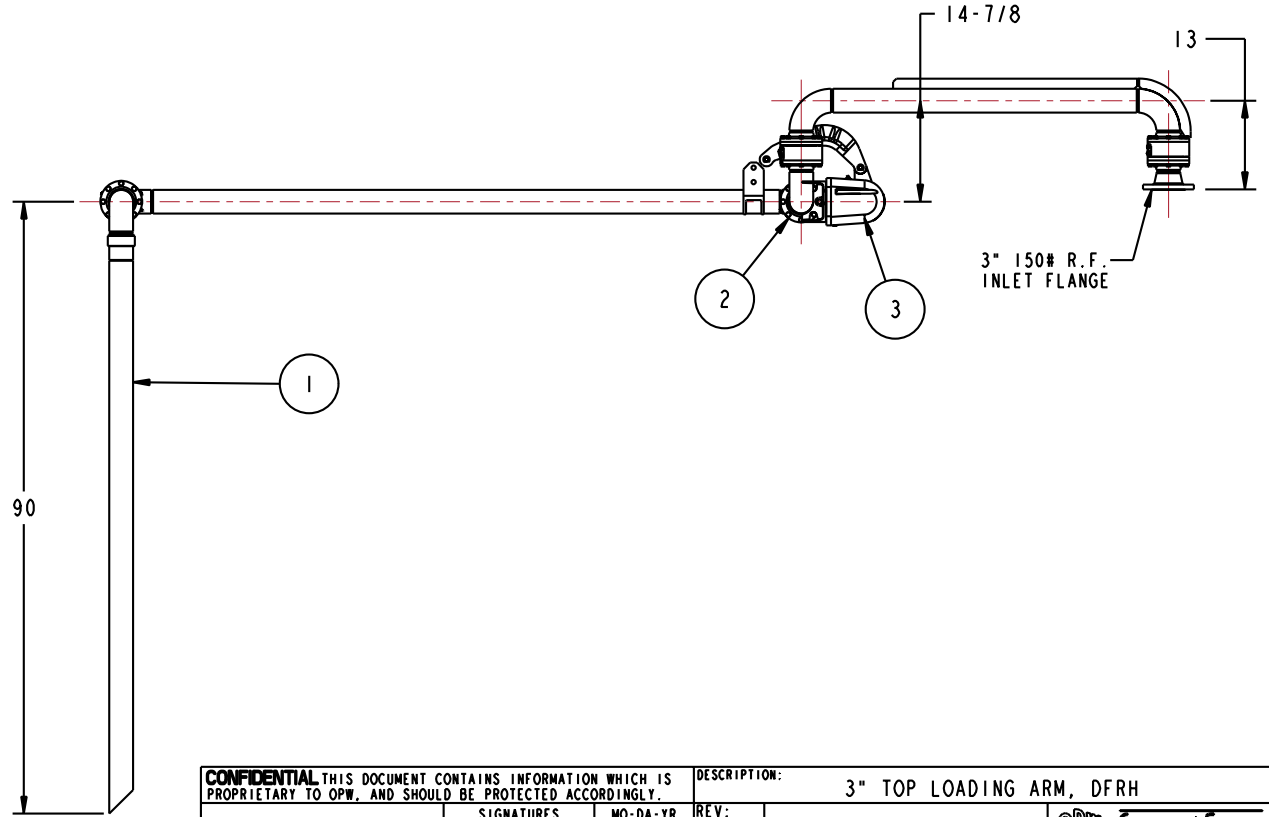
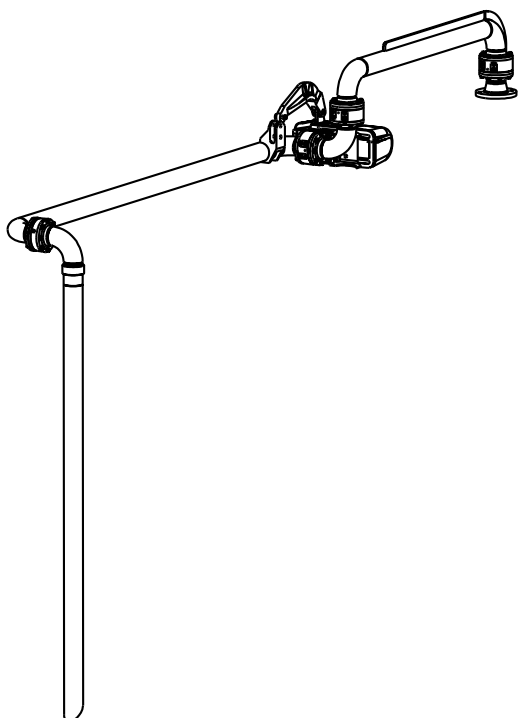
MATERIALS OF CONSTRUCTION	316L STAINLESS STEEL
SWIVEL JOINT SEALS	PTFE ENCAPSULATED SILICONE
PRODUCT	50% CAUSTIC
ESTIMATED WEIGHT	360 LBS
MOMENT LOAD AT SPRING	8200 IN-LBS
MOMENT LOAD AT INLET	24,000 IN-LBS
TEST PRESSURE	90 PSI
PRODUCT RETENTION	NO
WEIGHT BY OTHERS	NO

THIS DRAWING IS NOT TO BE SCALED. FOR ADDITIONAL INFORMATION, PLEASE CONTACT OUR ENGINEERING DEPT.

REVISIONS					
LTR	ECN #	DESCRIPTION	DRAWN	APPROVED	DATE
-	-	-	-	-	-



3	1	EA	790B-0030	RIGHT HAND EZ ADJUST 'B' SPRING BALANCE
2	1	EA	8976FW	3" SWIVEL ASSY, ENDURA DSF, SST
1	1	EA	N/A	3" SST DROP PIPE ASSY
ITEM	QTY	UM	PART NUMBER	DESCRIPTION



CONFIDENTIAL THIS DOCUMENT CONTAINS INFORMATION WHICH IS PROPRIETARY TO OPW, AND SHOULD BE PROTECTED ACCORDINGLY.

DESCRIPTION: 3" TOP LOADING ARM, DFRH

SIGNATURES	MO-DA-YR	REV:	PART NUMBER:
DRAWN: BJB	12/10/09	-	EGT33F-H714
CHECKED:	-	SIZE:	D
MATERIAL: SST	WEIGHT: -	SCALE: 0.075	SHEET 1 OF 4

OPW Engineered Systems
A **ROSTEC** Resources Company
Lebanon, Ohio 45036 USA
3D GENERATED DRAWING