

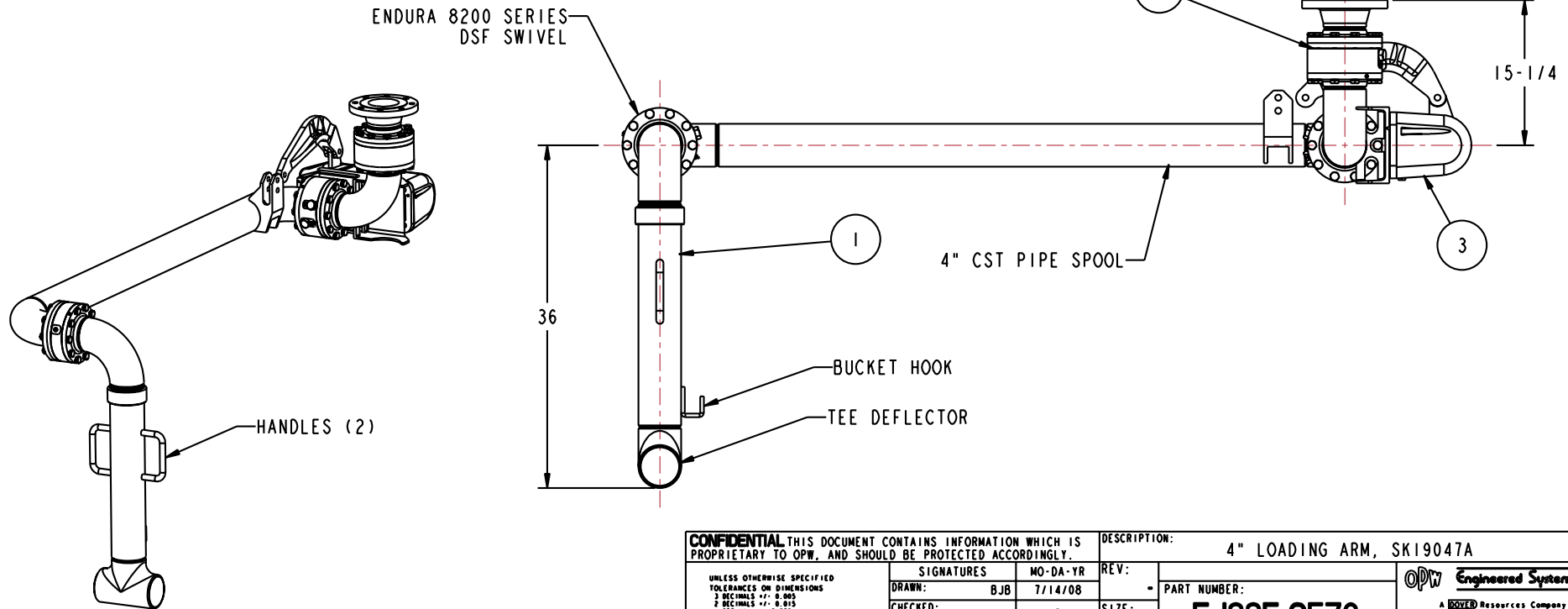
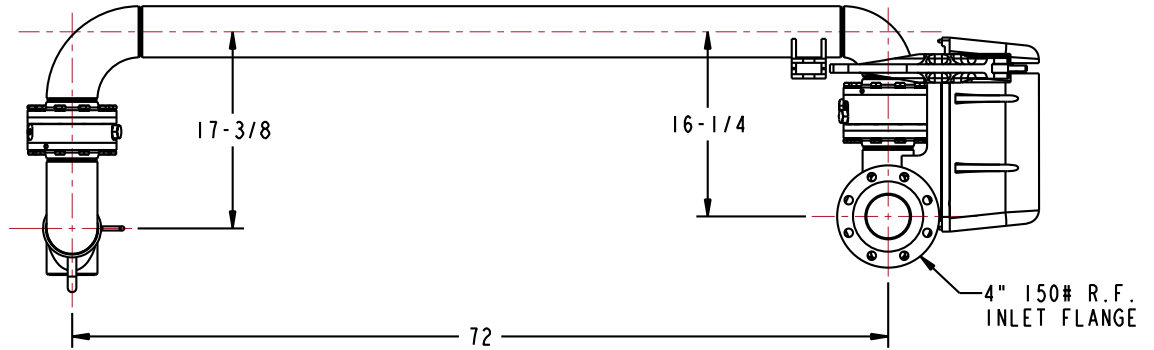
MATERIALS OF CONSTRUCTION	CARBON STEEL
SWIVEL JOINT SEALS	VITON GFLT
PRODUCT	ASPHALT
ESTIMATED WEIGHT	350 LBS
MOMENT LOAD AT SPRING	8700 IN-LBS
TEST PRESSURE	90 PSI
PRODUCT RETENTION	NO
WEIGHT BY OTHERS	NO

3	1	EA	790C-0050	EZ ADJUST TORSION SPRING BALANCE
2	1	EA	8456FSD-G579	4" SWIVEL ASSY, ENDURA DSF, CST
1	1	EA	N/A	4" CST DROP PIPE
ITEM	QTY	UM	PART NUMBER	DESCRIPTION

H02209PA	1	INSTRUCTION SHEET
H30446M	1	ALUM NAME PLATE
H30447M	2	SST TIE BANDS

THIS DRAWING IS NOT TO BE SCALED. FOR ADDITIONAL INFORMATION, PLEASE CONTACT OUR ENGINEERING DEPT.

REVISIONS					
LTR	ECN #	DESCRIPTION	DRAWN	APPROVED	DATE
-	-	-	-	-	-



**CONFIDENTIAL** THIS DOCUMENT CONTAINS INFORMATION WHICH IS PROPRIETARY TO OPW, AND SHOULD BE PROTECTED ACCORDINGLY.

DESCRIPTION: 4" LOADING ARM, SKI9047A

UNLESS OTHERWISE SPECIFIED  
 TOLERANCES ON DIMENSIONS  
 3 DECIMALS +/- 0.005  
 2 DECIMALS +/- 0.015  
 1 DECIMAL +/- 0.030  
 ANGLES +/- 1/2 DEG  
 MACHINED SURFACES 125 RMS MAX

SIGNATURES		MO-DA-YR
DRAWN:	BJB	7/14/08
CHECKED:	-	-
MATERIAL:	WEIGHT:	-

REV:	-
SIZE:	D

PART NUMBER:  
**EJ33F-G576**

**OPW** Engineered Systems  
 A **ROBERT** Resources Company  
 Lebanon, Ohio 45036 USA  
 SCALE: 0.125 SHEET 1 OF 3 3D GENERATED DRAWING