

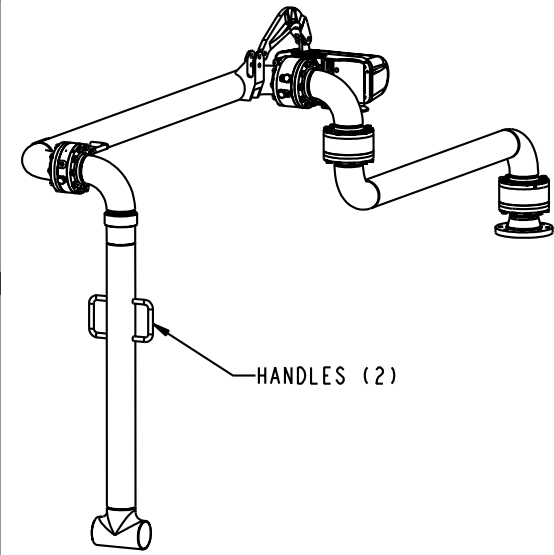
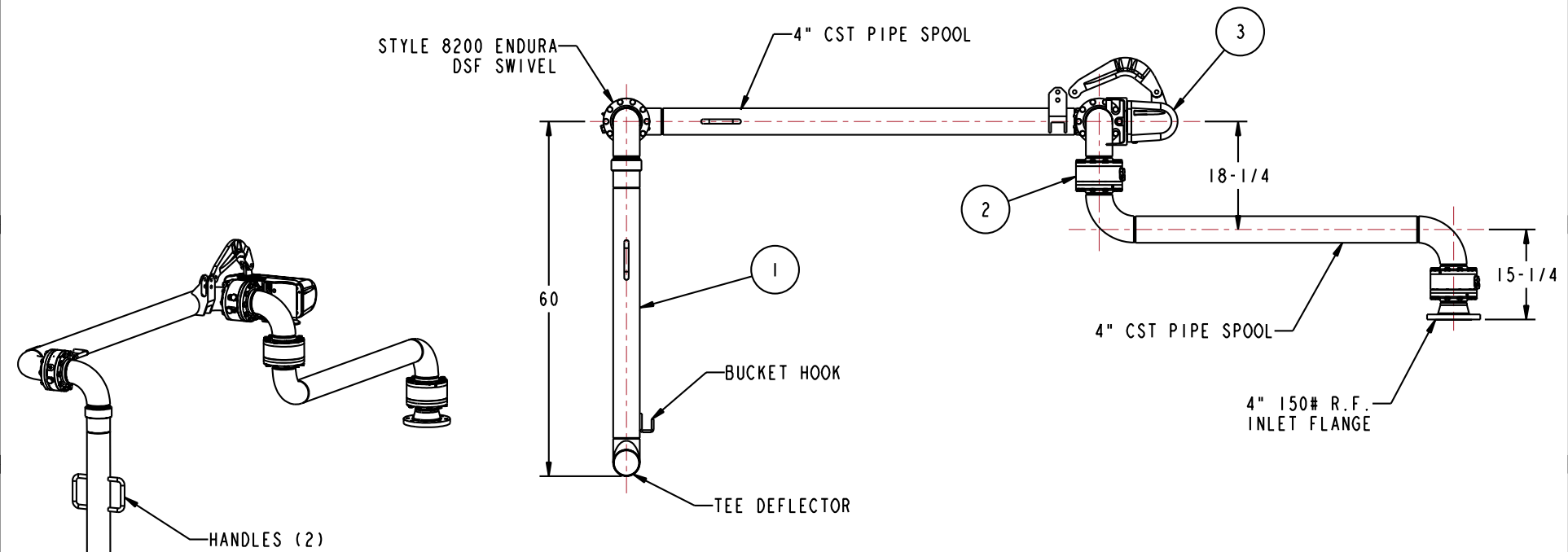
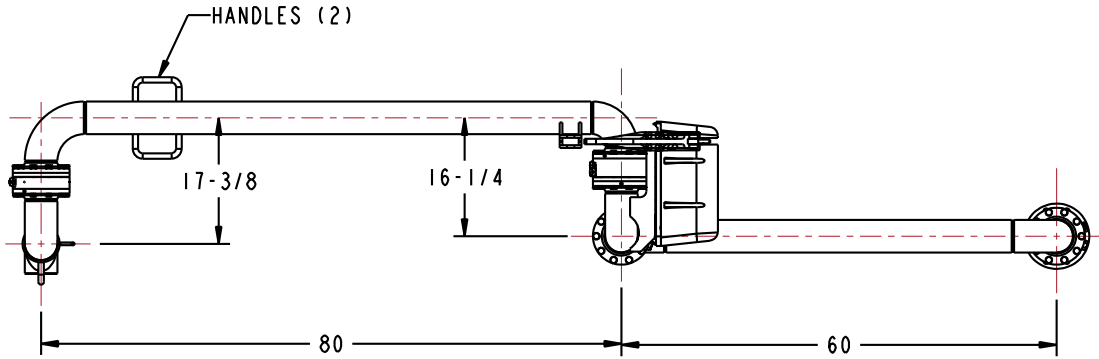
MATERIALS OF CONSTRUCTION		CARBON STEEL
SWIVEL JOINT SEALS		VITON GFLT
PRODUCT		ASPHALT
ESTIMATED WEIGHT		550 LBS
MOMENT LOAD AT SPRING		9925 IN-LBS
MOMENT LOAD AT INLET		34425 IN-LBS
TEST PRESSURE		90 PSI
PRODUCT RETENTION		NO
WEIGHT BY OTHERS		NO

3	1	EA	790C-0050	EZ ADJUST TORSION SPRING BALANCE
2	1	EA	8458FS-G581	4" SWIVEL ASSY, ENDURA DSF, CST
1	1	EA	N/A	4" CST DROP PIPE
ITEM	QTY	UM	PART NUMBER	DESCRIPTION

H02209PA 1 INSTRUCTION SHEET
H30446M 1 ALUM NAME PLATE
H30447M 2 SST TIE BANDS

THIS DRAWING IS NOT TO BE SCALED. FOR ADDITIONAL INFORMATION, PLEASE CONTACT OUR ENGINEERING DEPT.

REVISIONS					
LTR	ECN #	DESCRIPTION	DRAWN	APPROVED	DATE
-	-	-	-	-	-



CONFIDENTIAL THIS DOCUMENT CONTAINS INFORMATION WHICH IS PROPRIETARY TO OPW, AND SHOULD BE PROTECTED ACCORDINGLY.

UNLESS OTHERWISE SPECIFIED
TOLERANCES ON DIMENSIONS
3 DECIMALS +/- 0.005
2 DECIMALS +/- 0.015
1 DECIMAL +/- 0.030
ANGLES +/- 1/2 DEG
MACHINED SURFACES 125 RMS MAX

SIGNATURES		MO-DA-YR
DRAWN:	BJB	7/15/08
CHECKED:	-	-
MATERIAL:	-	-
WEIGHT:	-	-

DESCRIPTION: 4" LOADING ARM, SK19047B

REV: -	PART NUMBER:
SIZE: D	EGT32F-G578
SCALE: 0.080	SHEET 1 OF 4

OPW **Engineered Systems**
A **ROBERT** Resources Company
Lebanon, Ohio 45036 USA
3D GENERATED DRAWING