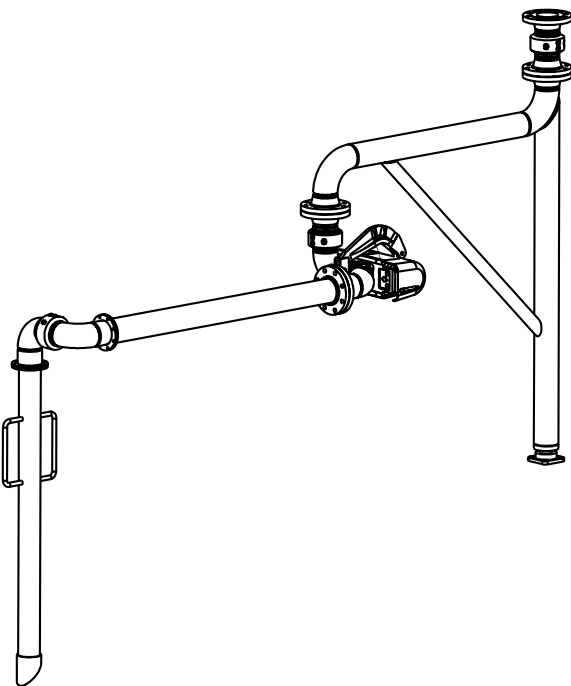
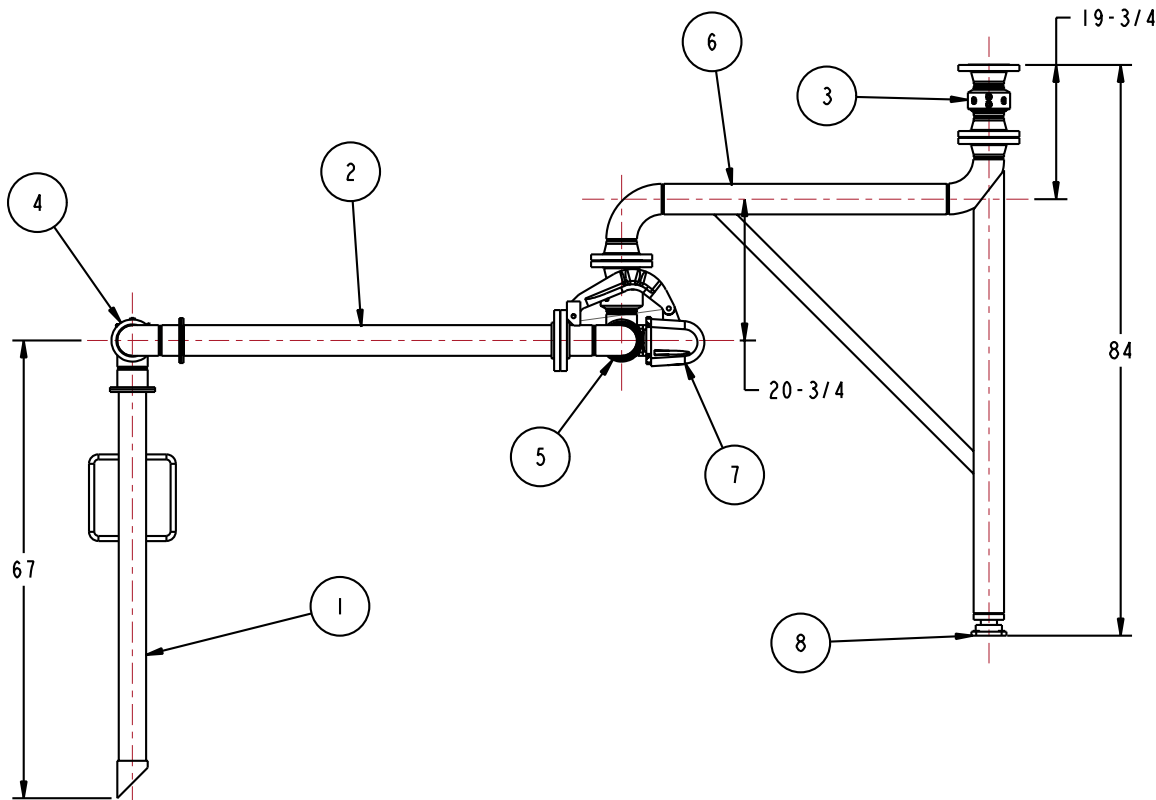
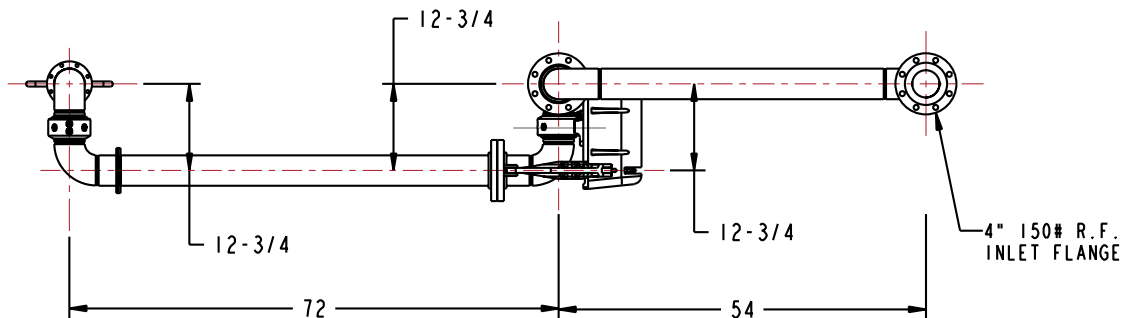


MATERIALS OF CONSTRUCTION	CARBON STEEL
SWIVEL JOINT SEALS	FLUOROCARBON
PRODUCT	ASPHALT
ESTIMATED WEIGHT	500 LBS
MOMENT LOAD AT SPRING	7,000 IN-LBS
MOMENT LOAD AT INLET	<26,600 IN-LBS
FLANGE GASKETS	KLINGER SIL C5400
TEST PRESSURE	90 PSI
DESIGNED FOR PRODUCT RETENTION	NO
ADDITIONAL WEIGHT BY OTHERS	NONE

8	1	EA	H-30369-M	FLANGE BEARING
7	1	EA	790BLH-0035	EZ ADJUST TORSION SPRING BALANCE
6	1	EA	N/A	BOOM ASSY, CST, 4"
5	1	EA	3458FSBD-C785	4" SWIVEL, CST
4	1	EA	3440FFT-C783	4" SWIVEL, CST
3	1	EA	3420F-C427	4" SWIVEL, CST
2	1	EA	N/A	4" CST PIPE SPOOL
1	1	EA	N/A	4" CST DROP TUBE ASSY W. HANDLES
ITEM	QTY	UM	PART NUMBER	DESCRIPTION

THIS DRAWING IS NOT TO BE SCALED. FOR ADDITIONAL INFORMATION, PLEASE CONTACT OUR ENGINEERING DEPT.

REVISIONS				DRAWN	APPROVED	DATE
LTR	ECN #	DESCRIPTION				
-	-	-	-	-	-	-



CONFIDENTIAL THIS DOCUMENT CONTAINS INFORMATION WHICH IS PROPRIETARY TO OPW, AND SHOULD BE PROTECTED ACCORDINGLY.

DESCRIPTION: 4" LOADING ARM, LH

SIGNATURES	MO-DA-YR
DRAWN: BJB	1/19/09
CHECKED:	
MATERIAL:	WEIGHT:

REV: -	PART NUMBER:
SIZE: D	B33F-H133
SCALE: 0.075	SHEET 1 OF 3

OPW **Engineered Systems**
 A **ROBERT** Resources Company
 Lebanon, Ohio 45036 USA
 3D GENERATED DRAWING