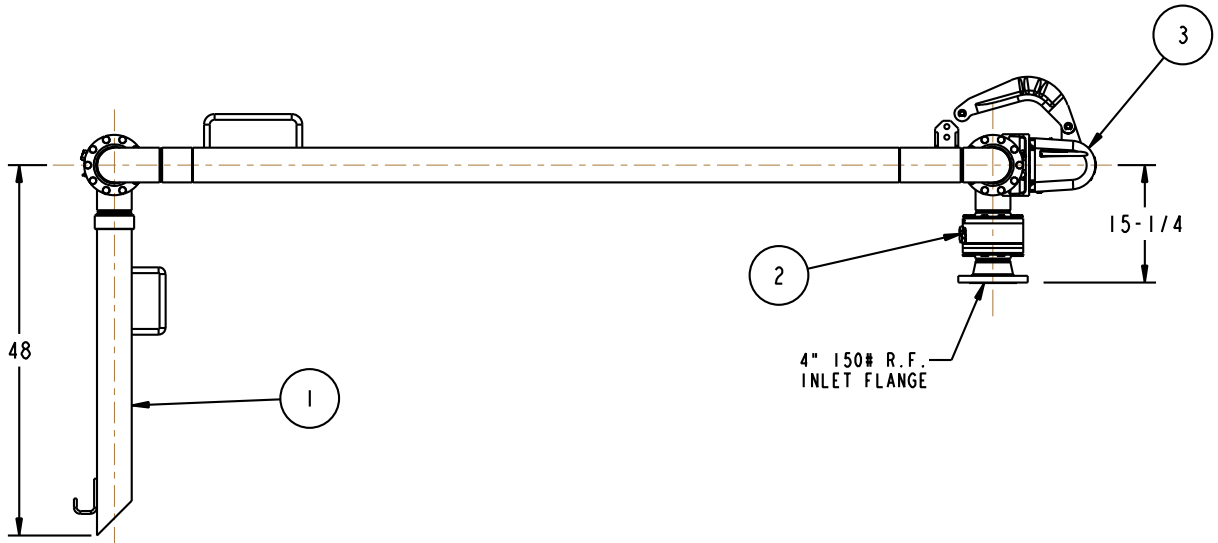
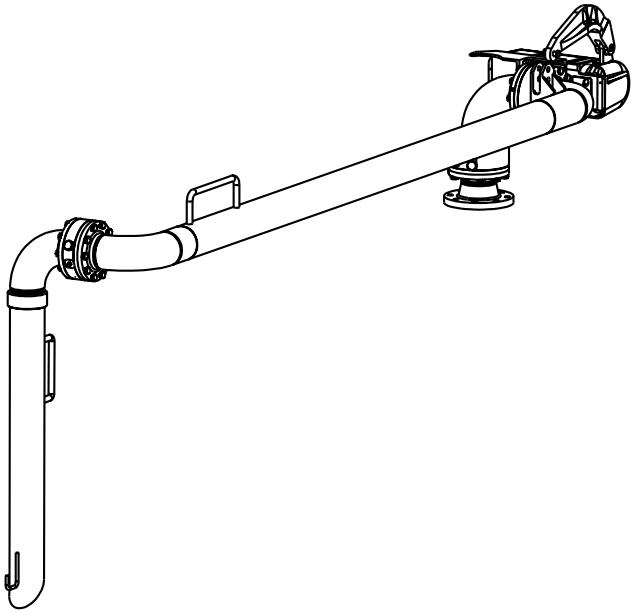
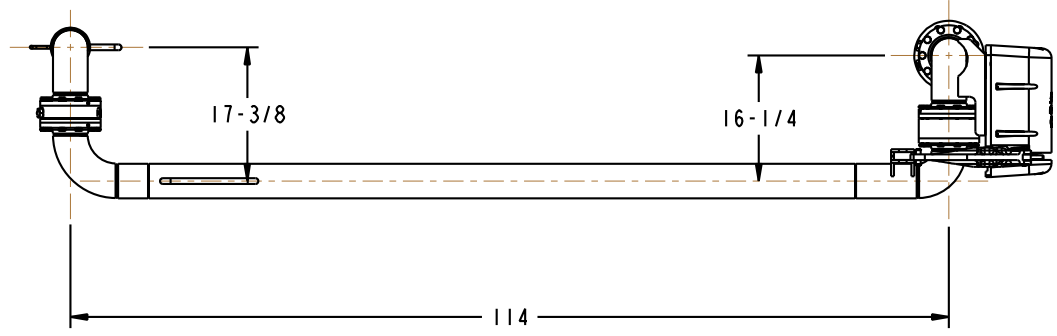


MATERIALS OF CONSTRUCTION	CARBON STEEL & ALUMINUM
SWIVEL JOINT SEALS	FLUOROCARBON GFLT
PRODUCT	ASPHALT
ESTIMATED WEIGHT	325 LBS
MOMENT LOAD AT SPRING	10,900 IN-LBS
TEST PRESSURE	90 PSI
PRODUCT RETENTION	NO
WEIGHT BY OTHERS	NONE

3	1	EA	790CLH-0045	LEFT HAND EZ ADJUST 'C' SPRING BALANCE
2	1	EA	8456FW	4" SWIVEL ASSY, ENDURA DSF, CST
1	1	EA	N/A	4" ALUM DROP PIPE SPOOL
ITEM	QTY	UM	PART NUMBER	DESCRIPTION

THIS DRAWING IS NOT TO BE SCALED. FOR ADDITIONAL INFORMATION, PLEASE CONTACT OUR ENGINEERING DEPT.

REVISIONS					
LTR	ECN #	DESCRIPTION	DRAWN	APPROVED	DATE
-	-	-	-	-	-



CONFIDENTIAL THIS DOCUMENT CONTAINS INFORMATION WHICH IS PROPRIETARY TO OPW, AND SHOULD BE PROTECTED ACCORDINGLY.

DESCRIPTION: 4" TOP LOADING ARM, UFLH

SIGNATURES		MO-DA-YR
DRAWN: BJB		1/26/10
CHECKED:		
MATERIAL:	WEIGHT:	

REV: -	PART NUMBER:
SIZE: D	EJ32F-H779
SCALE: 0.085	

OPW **Engineered Systems**
 A **ROTTED** Resources Company
 Lebanon, Ohio 45036 USA
 3D GENERATED DRAWING