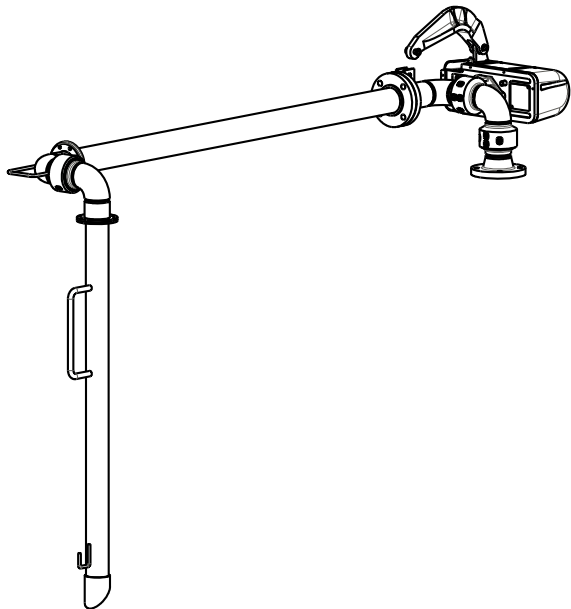
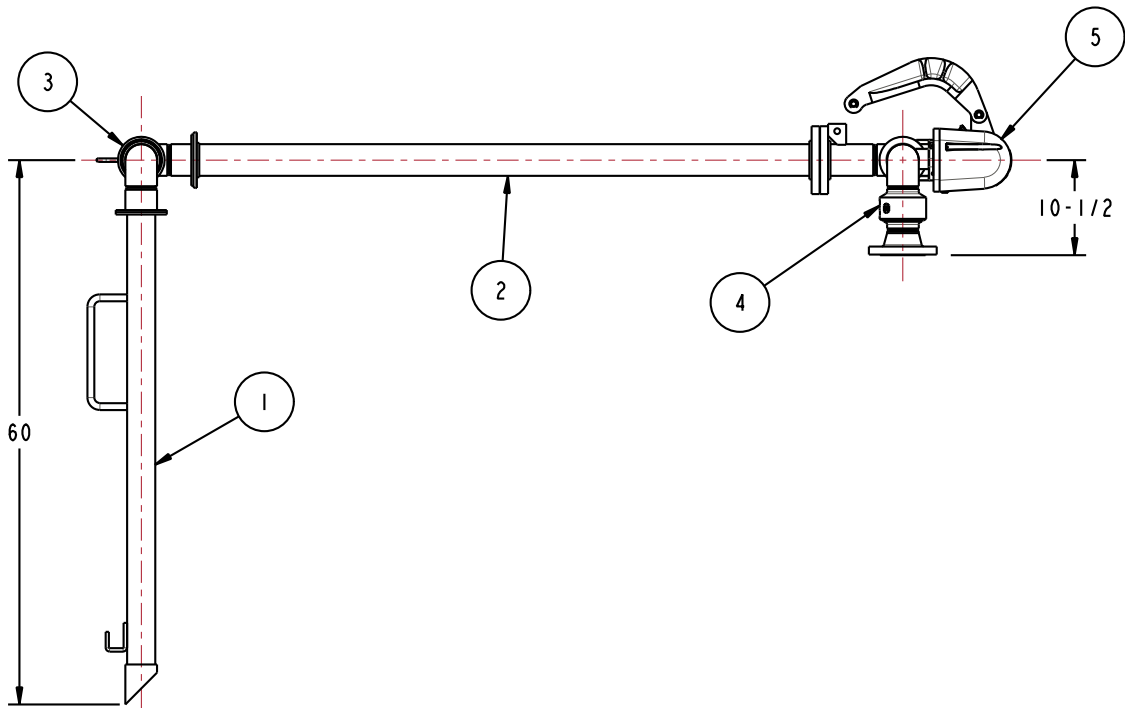
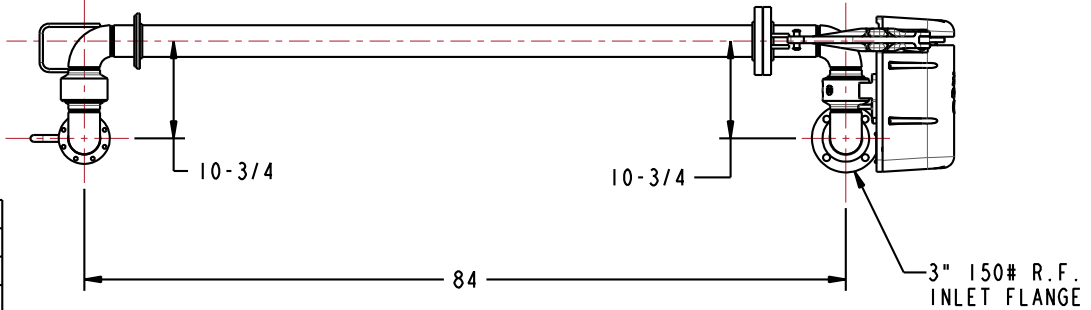


MATERIALS OF CONSTRUCTION	CARBON STEEL
SWIVEL JOINT SEALS	FLUOROCARBON GFLT
PRODUCT	ASPHALT
ESTIMATED WEIGHT	275 LBS
MOMENT LOAD AT SPRING	7510 IN-LBS
FLANGE GASKETS	GARLOCK GYLON 3500
TEST PRESSURE	90 PSI
PRODUCT RETENTION	NO
WEIGHT BY OTHERS	NO

5	1	EA	790B-0030	RIGHT HAND EZ ADJUST 'B' SPRING BALANCE
4	1	EA	3458FSB	3" SWIVEL, CST
3	1	EA	3444FT	3" SWIVEL, CST
2	1	EA	N/A	3" CST PIPE SPOOL
1	1		N/A	3" CST DROP TUBE W/HANDLE & BUCKET HOOK
ITEM	QTY	UM	PART NUMBER	DESCRIPTION

THIS DRAWING IS NOT TO BE SCALED. FOR ADDITIONAL INFORMATION, PLEASE CONTACT OUR ENGINEERING DEPT.

REVISIONS					
LTR	ECN #	DESCRIPTION	DRAWN	APPROVED	DATE
-	-	-	-	-	-



CONFIDENTIAL THIS DOCUMENT CONTAINS INFORMATION WHICH IS PROPRIETARY TO OPW, AND SHOULD BE PROTECTED ACCORDINGLY.

DESCRIPTION: 3" TOP LOADING ARM, UFRH

SIGNATURES		MO-DA-YR
DRAWN: BJB		3/26/10
CHECKED: -		-
MATERIAL: CST	WEIGHT: -	-

REV: -
SIZE: D

PART NUMBER:	J32F-H896
SCALE: 0.100	SHEET 1 OF 2

OPW Engineered Systems
A **ROBERT** Resources Company
Lebanon, Ohio 45036 USA
3D GENERATED DRAWING