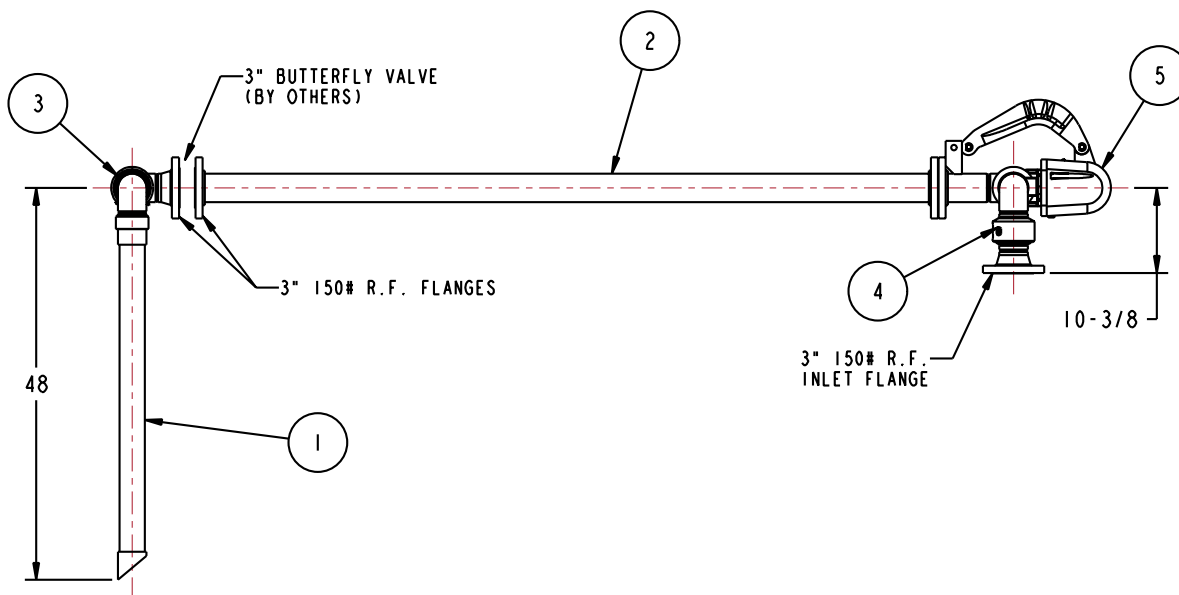
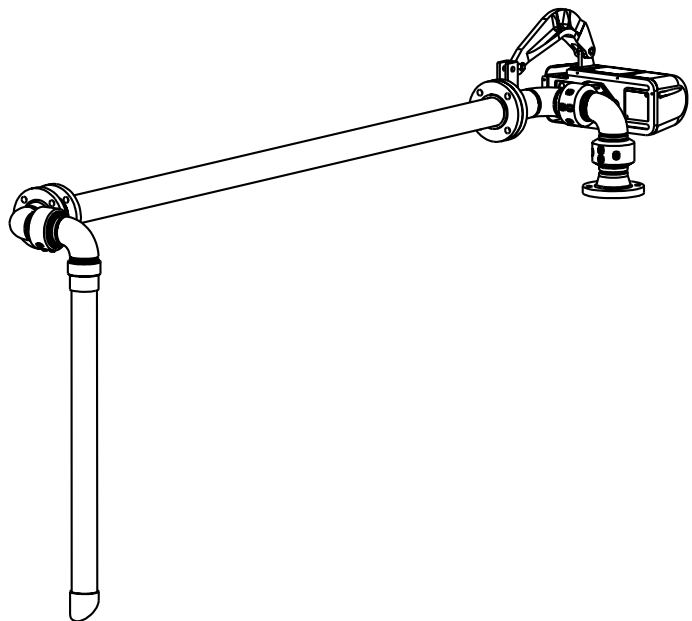
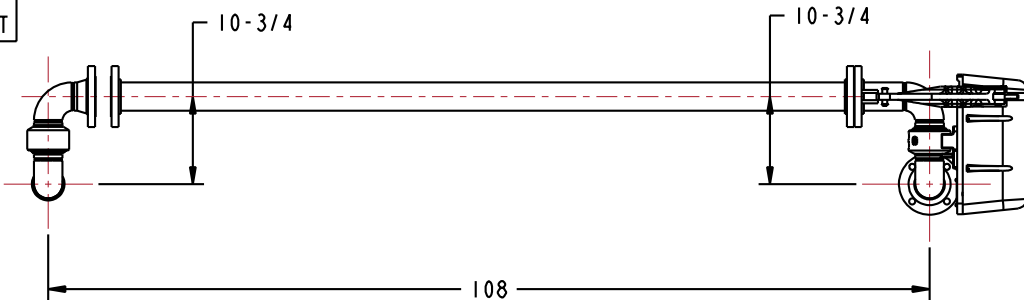


| | |
|---------------------------|---|
| MATERIALS OF CONSTRUCTION | CARBON STEEL & ALUMINUM |
| SWIVEL JOINT SEALS | FLUOROCARBON |
| PRODUCT | ASPHALT EMULSION |
| ESTIMATED WEIGHT | 334 LBS |
| MOMENT LOAD AT SPRING | 12,600 IN-LBS |
| FLANGE GASKETS | KLINGER SIL C5400 |
| TEST PRESSURE | 90 PSI |
| PRODUCT RETENTION | YES |
| WEIGHT BY OTHERS | BUTTERFLY VALVE @ 15 LBS INSULATION & TRACING @ 2.5 LBS/FT |

| 5 | 1 | EA | 790C-0050 | EZ ADJUST TORSION SPRING BALANCE |
|------|-----|----|-------------|----------------------------------|
| 4 | 1 | EA | 3458FS-0302 | 3" SWIVEL, CST |
| 3 | 1 | EA | 3440FO-0302 | 3" SWIVEL, CST |
| 2 | 1 | EA | N/A | 3" CST PIPE SPOOL |
| 1 | 1 | EA | N/A | 3" ALUM DROP TUBE ASSY |
| ITEM | QTY | UN | PART NUMBER | DESCRIPTION |

THIS DRAWING IS NOT TO BE SCALED. FOR ADDITIONAL INFORMATION, PLEASE CONTACT OUR ENGINEERING DEPT.

| REVISIONS | | | | | |
|-----------|-------|-------------|-------|----------|------|
| LTR | ECN # | DESCRIPTION | DRAWN | APPROVED | DATE |
| - | - | - | - | - | - |



CONFIDENTIAL THIS DOCUMENT CONTAINS INFORMATION WHICH IS PROPRIETARY TO OPW, AND SHOULD BE PROTECTED ACCORDINGLY.

DESCRIPTION: 3" LOADING ARM

| | |
|------------|----------|
| SIGNATURES | MO-DA-YR |
| DRAWN: BJB | 5/13/09 |
| CHECKED: | - |
| MATERIAL: | WEIGHT: |

| | |
|--------------|------------------|
| REV: - | PART NUMBER: |
| SIZE: D | J32F-H343 |
| SCALE: 0.090 | SHEET 1 OF 2 |

OPW **Engineered Systems**
A **ROBERT** Resources Company
Lebanon, Ohio 45036 USA
3D GENERATED DRAWING