

| | |
|---------------------------|----------------------|
| MATERIALS OF CONSTRUCTION | 316L STAINLESS STEEL |
| SWIVEL JOINT SEALS | FLUOROCARBON |

THIS DRAWING IS NOT TO BE SCALED. FOR ADDITIONAL INFORMATION, PLEASE CONTACT OUR ENGINEERING DEPT.

| REVISIONS | | | | | |
|-----------|-------|-------------|-------|----------|------|
| LTR | ECN # | DESCRIPTION | DRAWN | APPROVED | DATE |
| - | - | - | - | - | - |

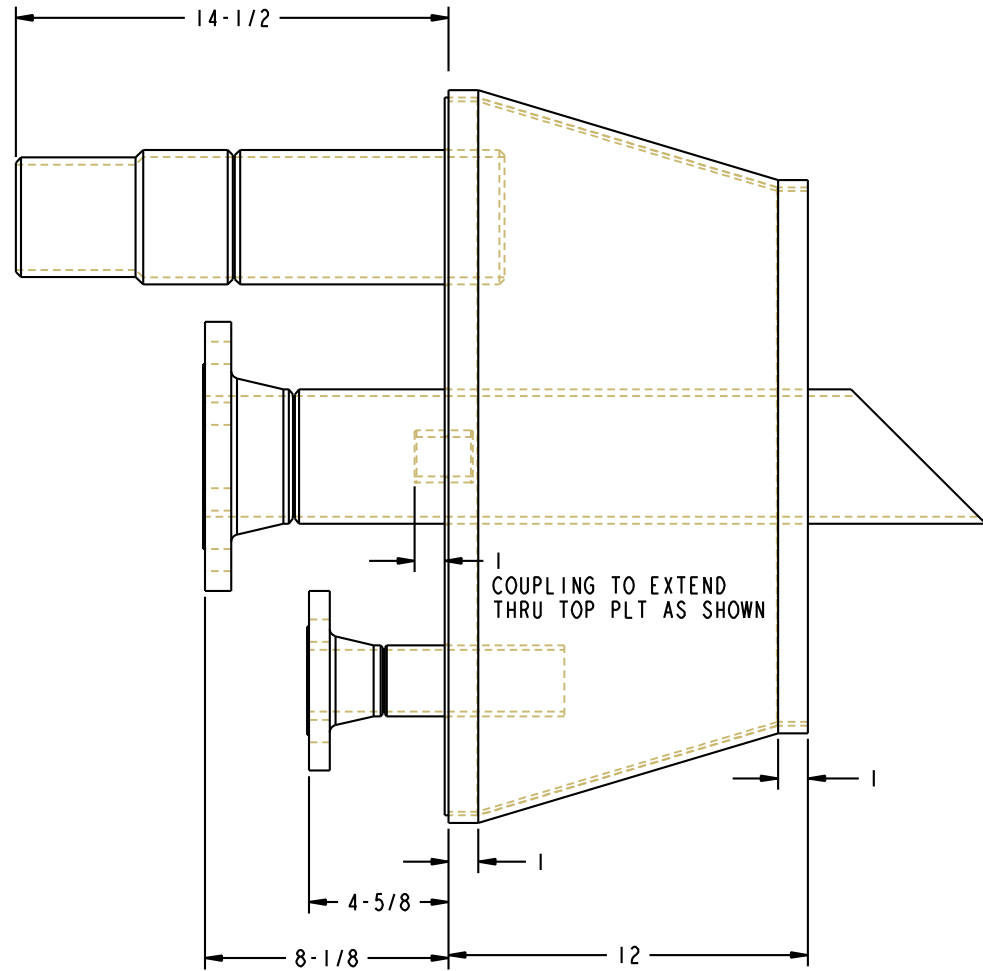
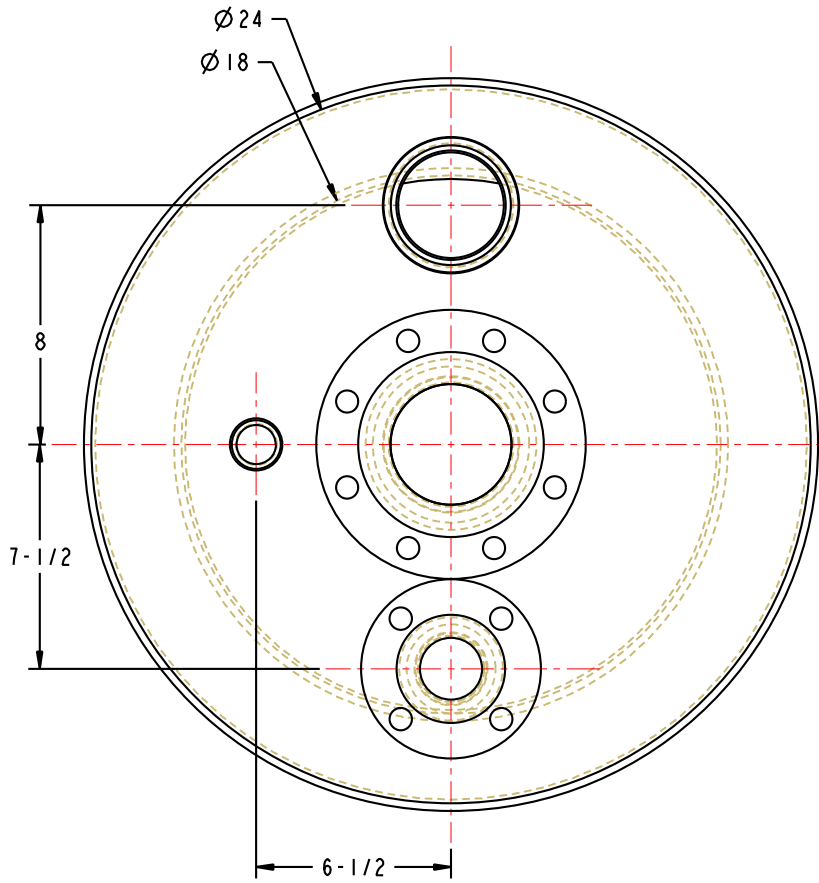
| ITEM | QTY | UM | PART NUMBER | DESCRIPTION |
|------|-----|----|--------------------|-----------------------------------|
| 10 | 1 | EA | N/A | CONE, 316L SST, .125 THICK |
| 9 | 1 | EA | N/A | 6.000 2" SCH 40 316L SST PIPE |
| 8 | 1 | EA | N/A | FLG, 150, RFWN, S40, 316L SST, 2" |
| 7 | 1 | FT | N/A | 23.063 4" SCH 40 316L SST PIPE |
| 6 | 1 | EA | N/A | FLANGE, 150, RFWN, S40, SST, 4" |
| 5 | 1 | EA | DIXON PART# RSTB40 | KING COMBINATION NIPPLE, SST, 4" |
| 4 | 1 | EA | N/A | 9.000 4" SCH 40 316L SST PIPE |
| 3 | 1 | EA | N/A | TOP PLT, SST, .125 THICK |
| 2 | 1 | EA | N/A | 1" FNPT COUPLING, 316L SST |
| 1 | 1 | EA | N/A | FLUOROCARBON FACE SEAL GASKET |

SST BAND AROUND CIRCUMFERENCE OF GASKET, TOP & BOTTOM

ATTACH GASKET WITH EPOXY GLUE 3MA 3316 B/A QT-6 (OR EQUAL) AND SST CLOSED END DOME STYLE BLIND RIVETS, MCMASTER-CARR PART NO. 94524A040 (OR EQUAL) SPACED 1" APART EACH SIDE OF SEAM

| | | | |
|--|----------|---|--------------|
| CONFIDENTIAL THIS DOCUMENT CONTAINS INFORMATION WHICH IS PROPRIETARY TO OPW, AND SHOULD BE PROTECTED ACCORDINGLY. | | DESCRIPTION: TAPERED HATCH PLUG, SST, FLUOROCARBON | |
| SIGNATURES | MO-DA-YR | REV: | PART NUMBER: |
| DRAWN: BJB | 10/20/10 | - | 7292THP-J299 |
| CHECKED: | - | SIZE: | D |
| MATERIAL: 316L SST | WEIGHT: | SCALE: 0.330 | SHEET 1 OF 2 |
| | | Engineered Systems A ROYAL Resources Company Lebanon, Ohio 45036 USA 3D GENERATED DRAWING | |

THIS DRAWING IS NOT TO BE SCALED. FOR ADDITIONAL INFORMATION, PLEASE CONTACT OUR ENGINEERING DEPT.



| | | | |
|--|----------|--|--------------|
| CONFIDENTIAL THIS DOCUMENT CONTAINS INFORMATION WHICH IS PROPRIETARY TO OPW, AND SHOULD BE PROTECTED ACCORDINGLY. | | DESCRIPTION: TAPERED HATCH PLUG, SST, FLUOROCARBON | |
| SIGNATURES | MO-DA-YR | REV: | PART NUMBER: |
| DRAWN: BJB | 10/20/10 | - | 7292THP-J299 |
| CHECKED: | - | SIZE: | D |
| MATERIAL: 316L SST | WEIGHT: | SCALE: 0.330 | SHEET 2 OF 2 |
| | | Engineered Systems A Resources Company Lebanon, Ohio 45036 USA 3D GENERATED DRAWING | |