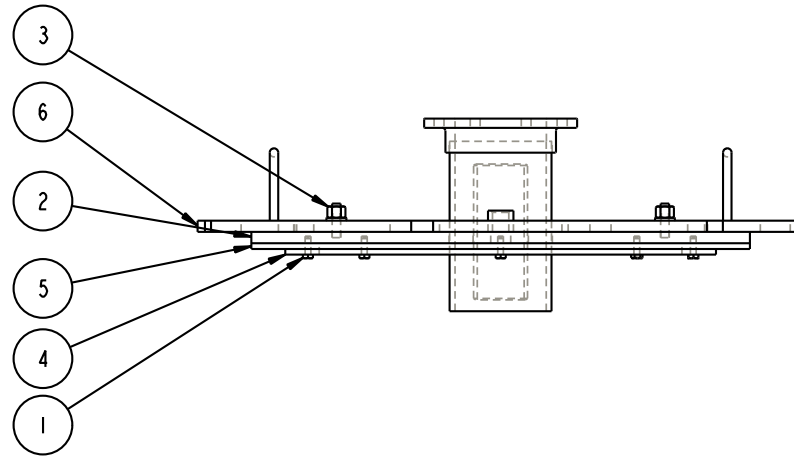
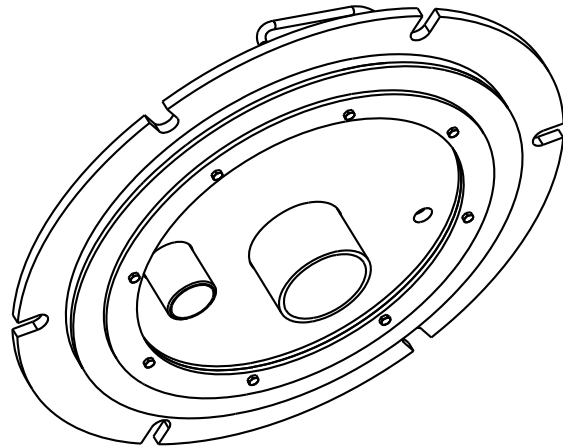
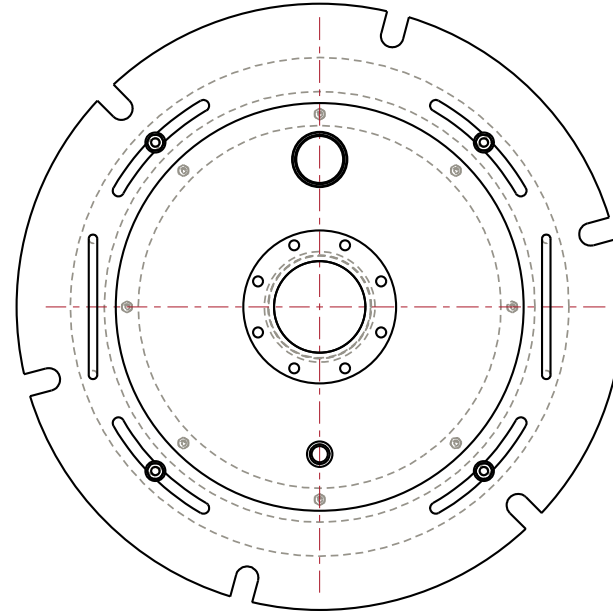
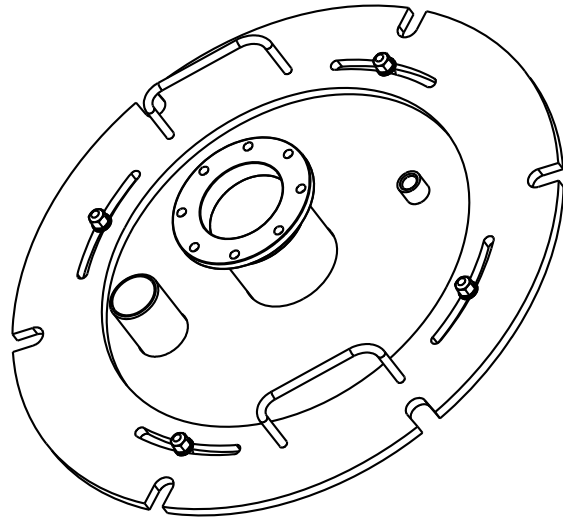


THIS DRAWING IS NOT TO BE SCALED. FOR ADDITIONAL INFORMATION, PLEASE CONTACT OUR ENGINEERING DEPT.

REVISIONS					
LTR	ECN #	DESCRIPTION	DRAWN	APPROVED	DATE
-	-	-	-	-	-



ITEM	QTY	UM	PART NUMBER	DESCRIPTION
6	1	EA	N/A	LOCKING RING ASSY, ALUM
5	1	EA	HX98577	GASKET, FLUOROCARBON
4	1	EA	HX98578	GASKET LOCKING RING, ASTM B 209 6061-T6 ALUM
3	4	EA	HX98579ND	FLANGE HEX NUT, 3/8-16, 316 SST
2	1	EA	N/A	COVER PLATE ASSY, ALUM
1	8	EA	HX98580ND	CAP SCREW, 1/4-20 X 3/4, 316 SST

**CONFIDENTIAL** THIS DOCUMENT CONTAINS INFORMATION WHICH IS PROPRIETARY TO OPW, AND SHOULD BE PROTECTED ACCORDINGLY.

DESCRIPTION: LOCKING COVER PLATE ASSY, ALUM

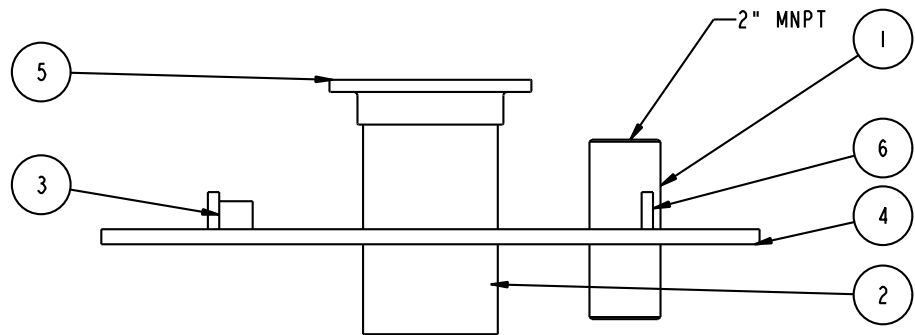
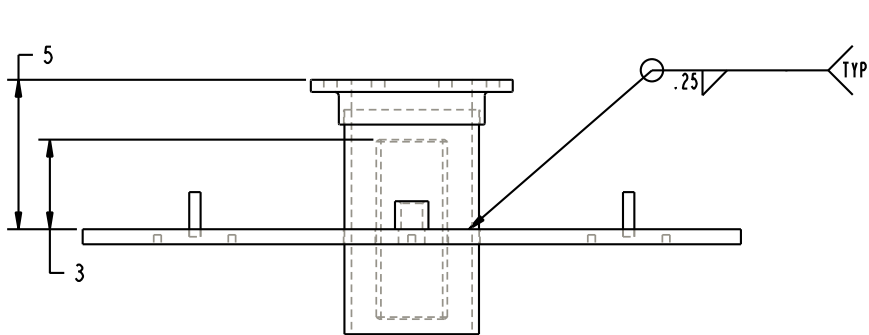
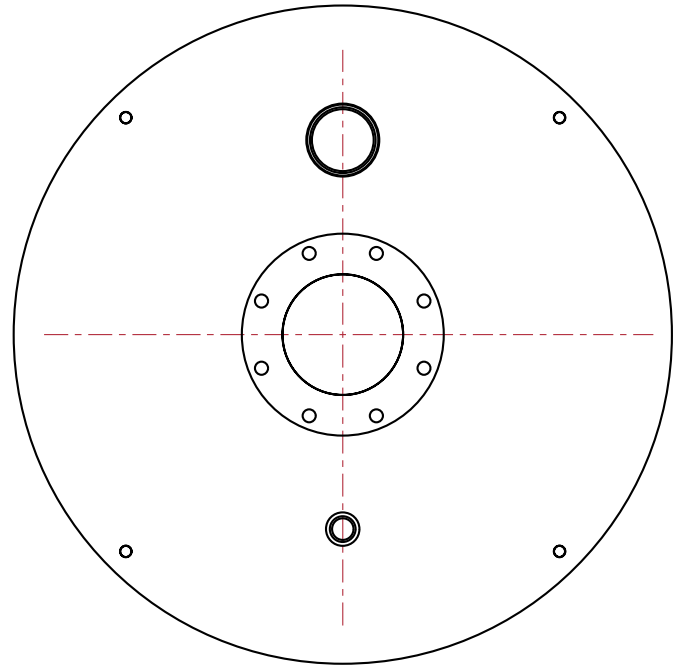
SIGNATURES		MO-DA-YR
DRAWN: JLP		7/07/09
CHECKED:		
MATERIAL: SST	WEIGHT:	

REV: -	PART NUMBER:
SIZE: D	<b>HX98574</b>
SCALE: 0.250	SHEET 1 OF 3

**OPW** **Engineered Systems**  
 A **ROBERT** Resources Company  
 Lebanon, Ohio 45036 USA  
 3D GENERATED DRAWING

THIS DRAWING IS NOT TO BE SCALED. FOR ADDITIONAL INFORMATION, PLEASE CONTACT OUR ENGINEERING DEPT.

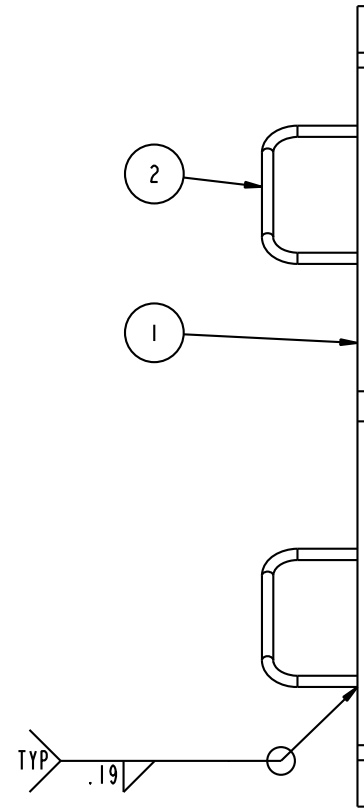
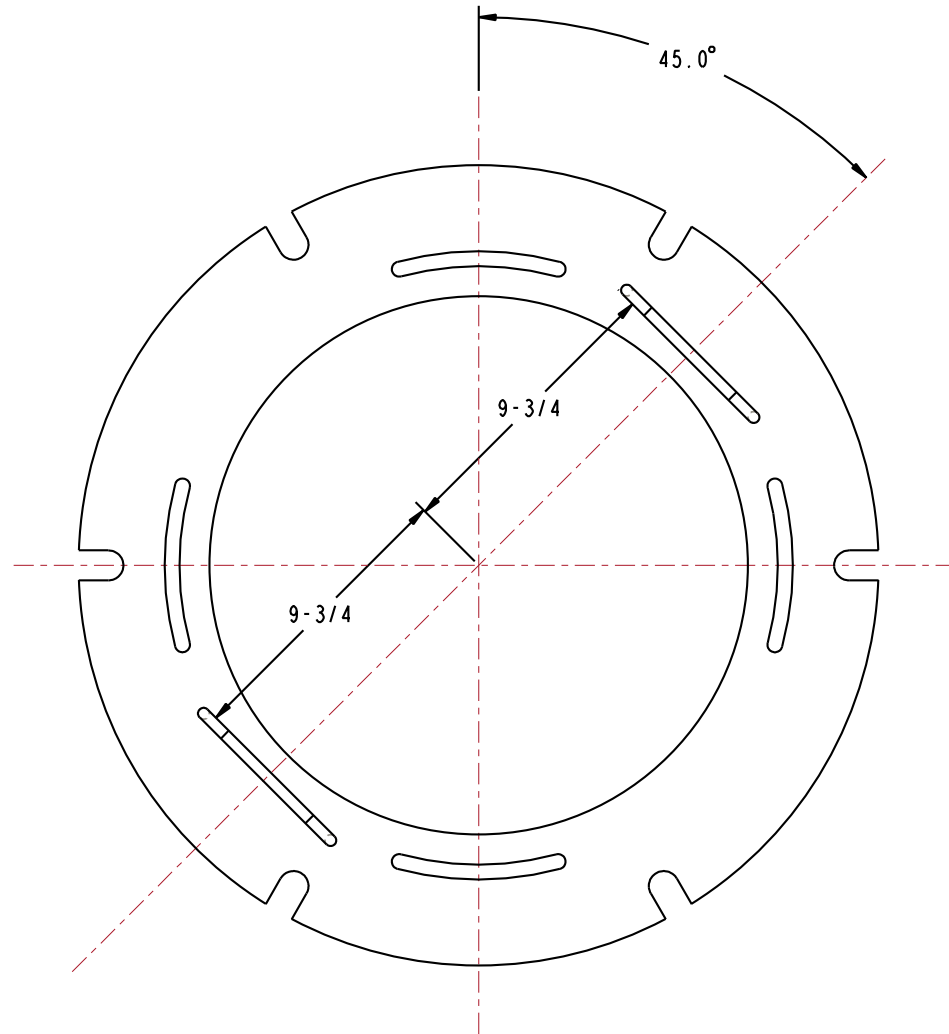
ITEM	QTY	UM	PART NUMBER		DESCRIPTION
6	4	EA	HX98581ND	1.500	THREADED STUD, 3/8-16 X 1-1/2, 316 SST
5	1	EA	C-01661-A		FLANGE, ALUM, TTMA, SW, 4"
4	1	EA	HX98576		COVER PLATE, ASTM B209 6061-T6 ALUM
3	1	EA	H-31770-M	0.940	COUPLING, HALF, HEAVY WALL, ALUM, 1/2"
2	1	FT	HX98569	7.500	4" SCH 40 ALUM PIPE
1	1	EA	HX98569	6.000	2" SCH 40 ALUM PIPE



<b>CONFIDENTIAL</b> THIS DOCUMENT CONTAINS INFORMATION WHICH IS PROPRIETARY TO OPW, AND SHOULD BE PROTECTED ACCORDINGLY.			DESCRIPTION: LOCKING COVER PLATE ASSY, ALUM	
SIGNATURES		MO-DA-YR	REV:	PART NUMBER:
DRAWN: JLP		7/07/09	-	HX98574
CHECKED: -		-	SIZE: D	SCALE: 0.200
MATERIAL: SST	WEIGHT:			SHEET 2 OF 3
			<b>Engineered Systems</b> <small>A BOSTED Resources Company</small> Lebanon, Ohio 45036 USA 3D GENERATED DRAWING	

THIS DRAWING IS NOT TO BE SCALED. FOR ADDITIONAL INFORMATION, PLEASE CONTACT OUR ENGINEERING DEPT.

ITEM	QTY	UM	PART NUMBER	DESCRIPTION
2	2	EA	HX98587	HANDLE, ALUM
1	1	EA	HX98575	COVER PLT LOCKING RING, ASTM B 209 6061-T6 ALUM



**CONFIDENTIAL** THIS DOCUMENT CONTAINS INFORMATION WHICH IS PROPRIETARY TO OPW, AND SHOULD BE PROTECTED ACCORDINGLY.

DESCRIPTION: LOCKING COVER PLATE ASSY, ALUM

SIGNATURES	MO-DA-YR
DRAWN: JLP	7/07/09
CHECKED: -	-
MATERIAL:	WEIGHT: -

REV: -	PART NUMBER:
SIZE: D	<b>HX98574</b>
SCALE: 0.200	SHEET 3 OF 3

**OPW** **Engineered Systems**  
A BOSTON Resources Company  
 Lebanon, Ohio 45036 USA  
 3D GENERATED DRAWING