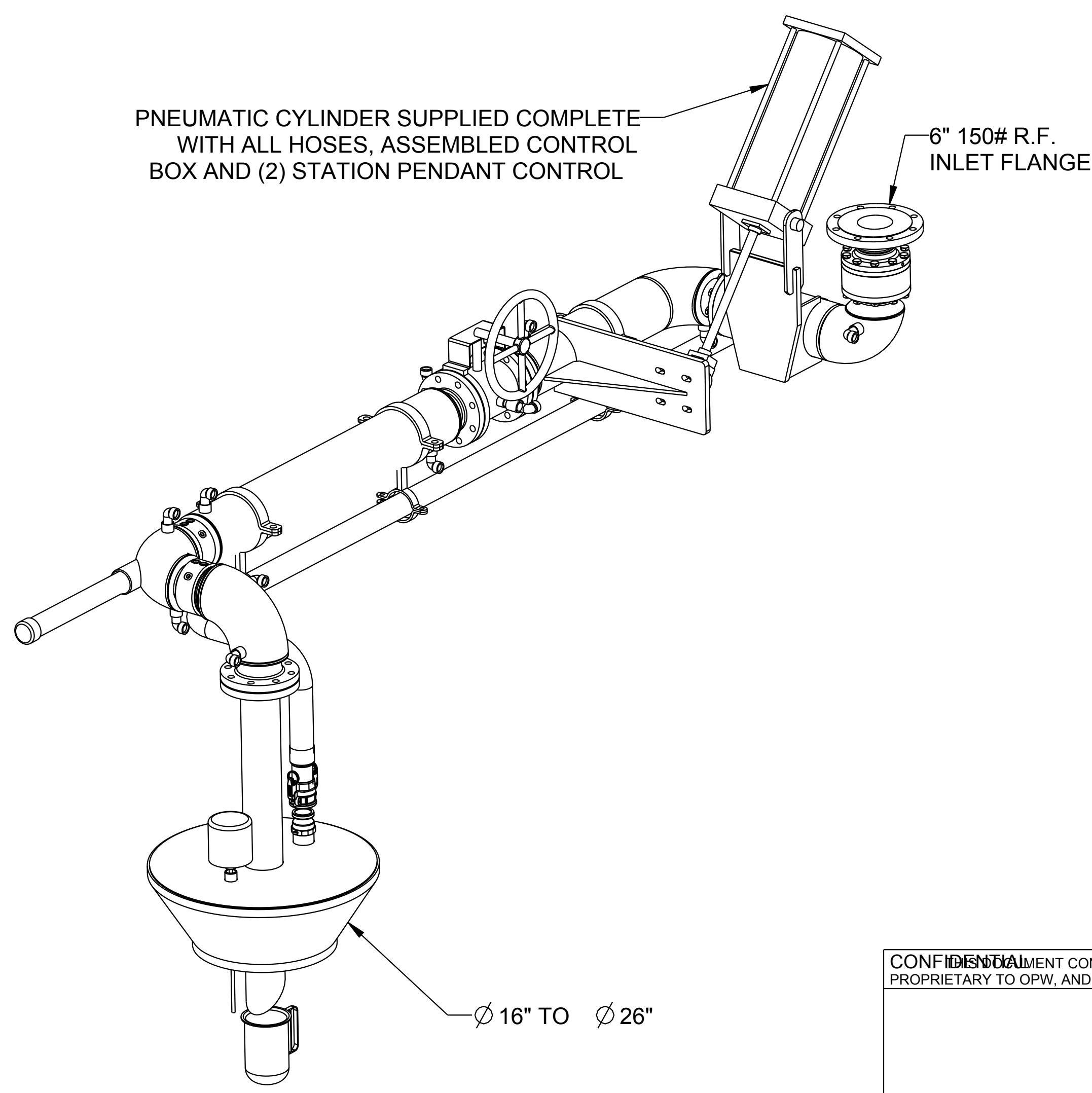


MATERIALS OF CONSTRUCTION	CARBON STEEL
SWIVEL JOINT SEALS	FLUOROCARBON GFLT
PRODUCT	MOLTEN SULFUR
ESTIMATED WEIGHT	800 LBS (363kg)
MOMENT LOAD AT SPRING	42,00 IN-LBS (4746 Nm)
FLANGE GASKETS	GARLOCK GYLON 3500
TEST PRESSURE	90 PSI
PRODUCT RETENTION	NO
WEIGHT BY OTHERS	INSULATION AT 3.7 kg/M
RADIOGRAPHIC INSPECTION	10% FLOW PASSAGE WELDS
MATERIAL CERTS	REQUIRED
INTERNAL PRODUCT FLOW PIPE	ASTM A106 GR B SEAMLESS CST
VERTICAL CYLINDER TRAVEL	-20° TO +40°

THIS DRAWING IS NOT TO BE SCALED. FOR ADDITIONAL INFORMATION, PLEASE CONTACT OUR ENGINEERING DEPT.

REVISIONS					
LTR	ECN #	DESCRIPTION	DRAWN	APPROVED	DATE

34	1	EA	H00973M	CAM AND GROOVE GASKET, FLUOROCARBON, 2"
33	2	EA	H32341M	RADIOGRAPHIC INSPECTION REQUIRED
32	1	EA	H31788PA	MATERIAL CERTS REQUIRED
31	1	EA	LADOC-STD	LOADING ARM, NAME TAG AND HARDWARE
30	1	EA	HK-PNEU-CS	HARDWARE KIT, PNEU CYL, CS
29	3	EA	FHK-150-04-CS-HT	FLG HARDWARE KIT, 150LB, CS, HI-TEMP, 4"
28	2	EA	LSK-3400-0402	LOADER SWIVEL KIT, 3400, FLUOROCARBON, 4"
27	2	EA	LSK-8000-0402	LOADER SEAL KIT,8000,FLUOROCARBON,4"
26	1	EA	HX99326	PNEUMATIC CYLINDER PACKAGE
25	1	EA	HX99325	PIPE PACKAGE
24	5	EA	H30913M	STEAM JUMPER HOSE, 36" OAL
23	1	EA	633A-SS20	2" SST AUTOLOK ADAPTOR
22	1	EA	733DL-20SB	2" SST AUTOLOK COUPLER
21	1	EA	HX99334	2" VAPOR HOSE, 15' OAL, MNPT X 150# FLG
20	1	EA	HX93463ND	HEX HD PLUG, CST, 3000#, 1/2"
19	2	EA	HX92646ND	PIPE NIPPLE, 1/2", CST
18	2	EA	HX94821ND	COUPLING, REDUCING, FNPT, CST, 3/4" X 1/2"
17	1	EA	A-89-20-030609 (REF)	SPHERICAL EYE BRACKET
16	1	EA	N/A	4" DSF ASSY W/PNEU BRKT'G
15	2	EA	C20691	MODULE,SWIVEL,CST,DSF,4"
14	1	EA	N/A	6" X 4" CST DSF ASSY
13	1	EA	N/A	PNEUMATIC CYLINDER
12	1	EA	N/A	4" DSF ASSY W/CLEVIS BRK'T
11	1	EA	HX99327	4" CST PLUG VALVE W/PARTIAL JK'T
10	1	EA	N/A	4" CST PIPE SPOOL W/JACKET
9	3	EA	HX86299	3" X 6" CLAMP ASSEMBLY
8	12	EA	H30911M	3/4" ST. ELBOW, CST
7	1	EA	N/A	4" CST JKT'D DSF ASSY W/BOSS
6	1	EA	HX99325 (REF)	2" SST BALANCE ARM
5	1	EA	HX94466ND	CAP, PIPE, SST, 2"
4	1	EA	N/A	4" CST SWIVEL ASSY, JKT'D
3	1	EA	HX99335	DREXELBROOK OVERFILL SENSOR
2	1	EA	7292THP-J403	TAPERED HATCH PLUG, SST, FLUOROCARBON
1	1	EA	DC00040	DRIP CUP, ALUM, 4"
ITEM	QTY	UM	PART NUMBER	DESCRIPTION



CONFIDENTIAL - THIS DOCUMENT CONTAINS INFORMATION WHICH IS PROPRIETARY TO OPW, AND SHOULD BE PROTECTED ACCORDINGLY.		DESCRIPTION: 6" X 4" TOP LOADING ARM, DFRH, PNEUMATIC, JKT'D	
SIGNATURES	MO-DA-YR	REV:	PART NUMBER:
DRAWN: BJB	12/13/10	-	J33F-J401
CHECKED:	-	SIZE:	D
MATERIAL:	WEIGHT:	SCALE: 0.090	SHEET 1 OF 10
		OPW Engineered Systems Lebanon, Ohio 45036 USA 3D GENERATED DRAWING	

A

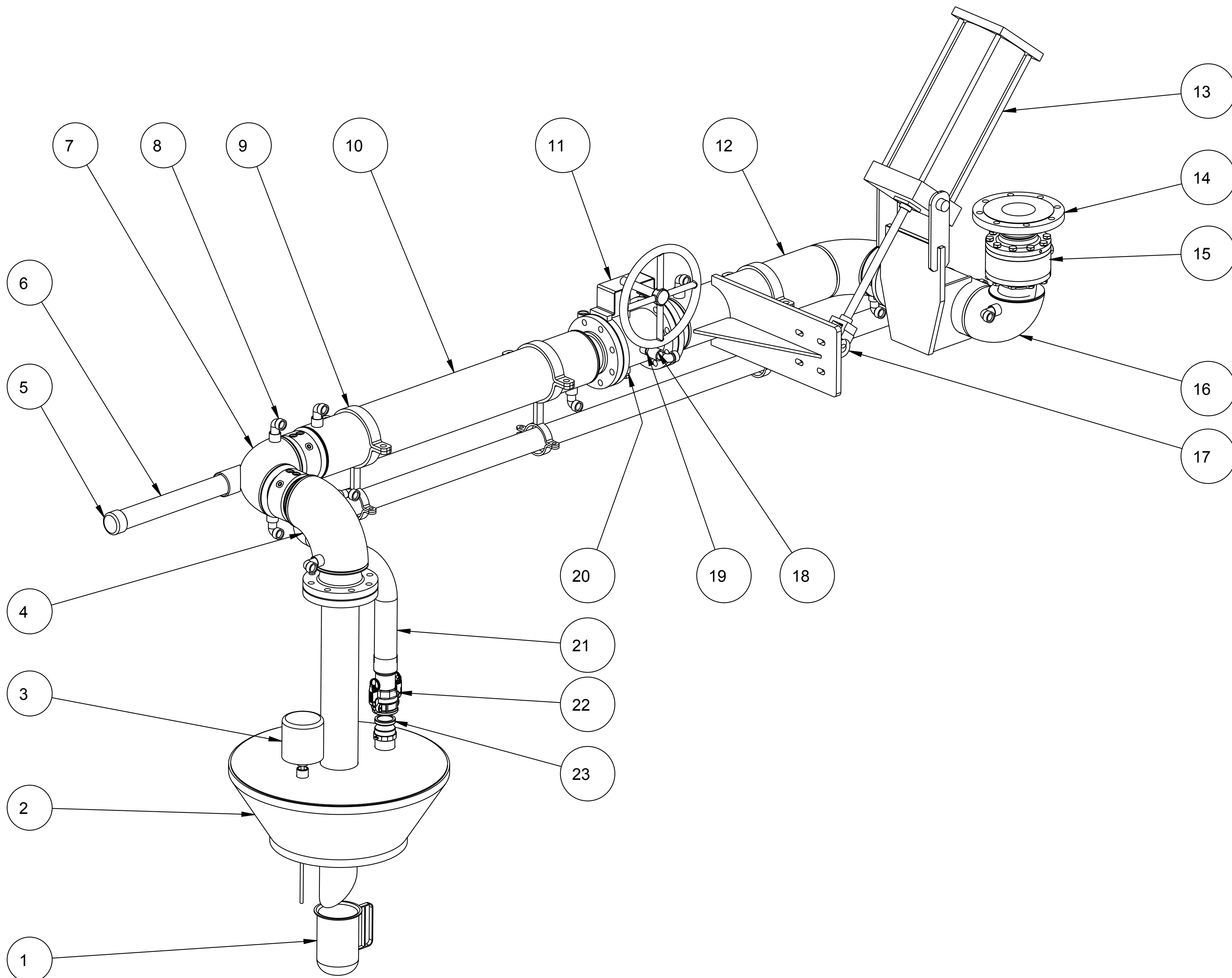
B

C

D

E

THIS DRAWING IS NOT TO BE SCALED. FOR ADDITIONAL INFORMATION, PLEASE CONTACT OUR ENGINEERING DEPT.



<p>CONFIDENTIAL - THIS DOCUMENT CONTAINS INFORMATION WHICH IS PROPRIETARY TO OPW, AND SHOULD BE PROTECTED ACCORDINGLY.</p>		<p>DESCRIPTION: 6" X 4" TOP LOADING ARM, DFRH, PNEUMATIC, JKT'D</p>	
SIGNATURES		MO-DA-YR	REV:
DRAWN:	BJB	12/13/10	-
CHECKED:	-	-	SIZE:
MATERIAL:	WEIGHT:	-	D
		PART NUMBER:	
		J33F-J401	
		SCALE: 0.120	SHEET 2 OF 10
		Engineered Systems <small>Lebanon, Ohio 45036 USA</small> 3D GENERATED DRAWING	

A

B

C

D

E

A

B

C

D

E

THIS DRAWING IS NOT TO BE SCALED. FOR ADDITIONAL INFORMATION, PLEASE CONTACT OUR ENGINEERING DEPT.

1

1

2

2

3

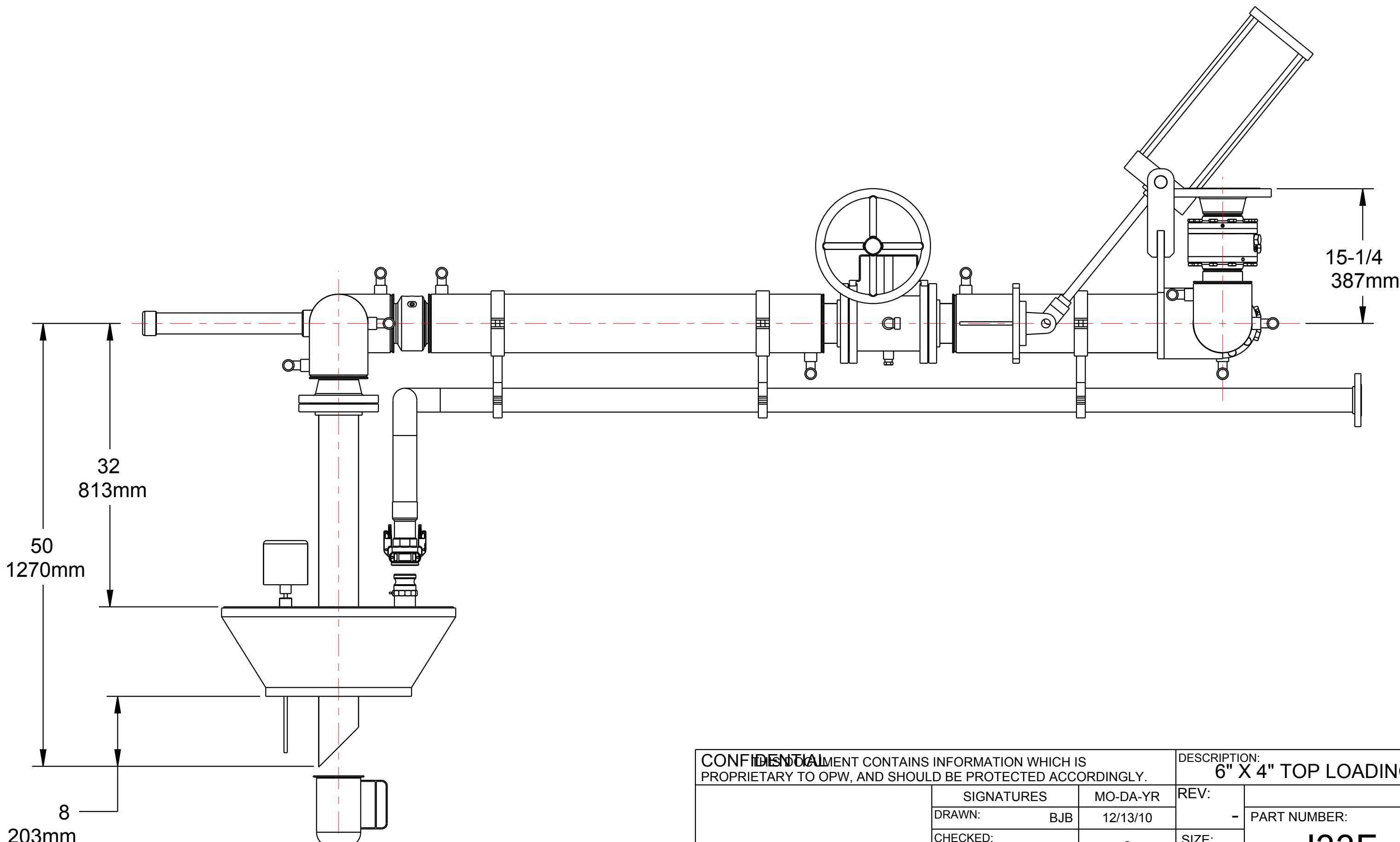
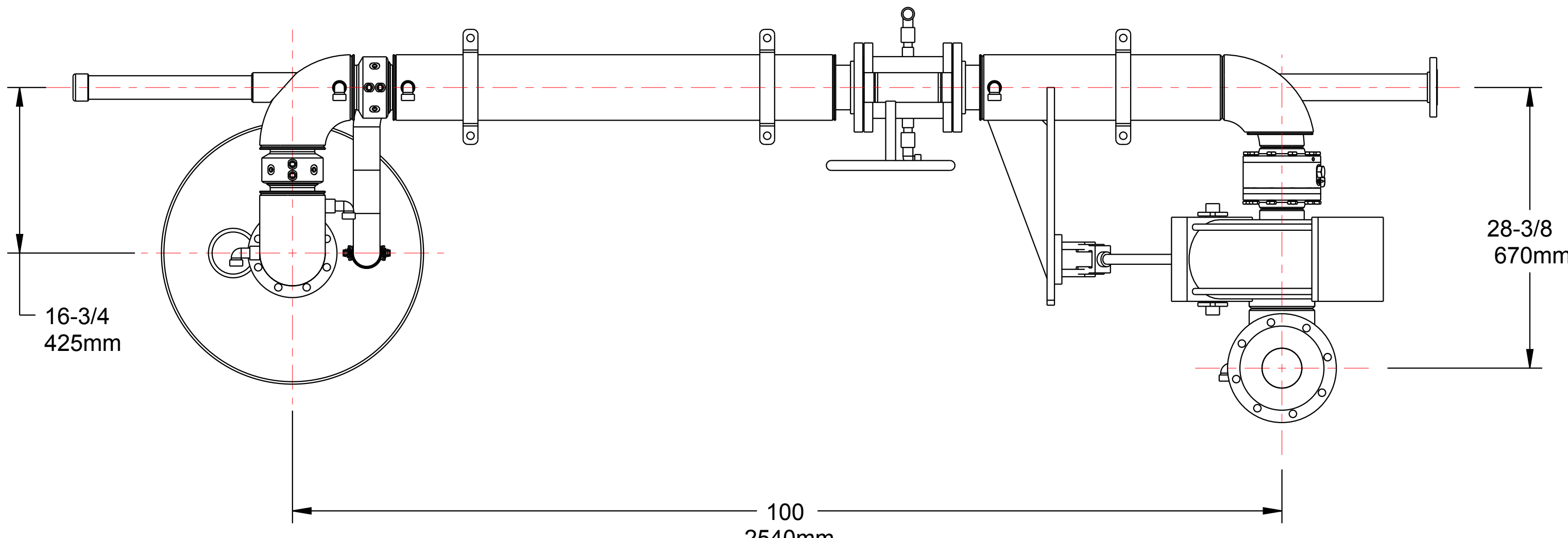
3

4

4

5

5



CONFIDENTIAL DOCUMENT CONTAINS INFORMATION WHICH IS PROPRIETARY TO OPW, AND SHOULD BE PROTECTED ACCORDINGLY.

DESCRIPTION: 6" X 4" TOP LOADING ARM, DFRH, PNEUMATIC, JKT'D

SIGNATURES		MO-DA-YR
DRAWN:	BJB	12/13/10
CHECKED:	-	-
MATERIAL:	WEIGHT:	

REV:	-
SIZE:	D
PART NUMBER:	J33F-J401
SCALE:	0.100
SHEET	3 OF 10

OPW **Engineered Systems**
 Lebanon, Ohio 45036 USA
 3D GENERATED DRAWING

A

B

C

D

E