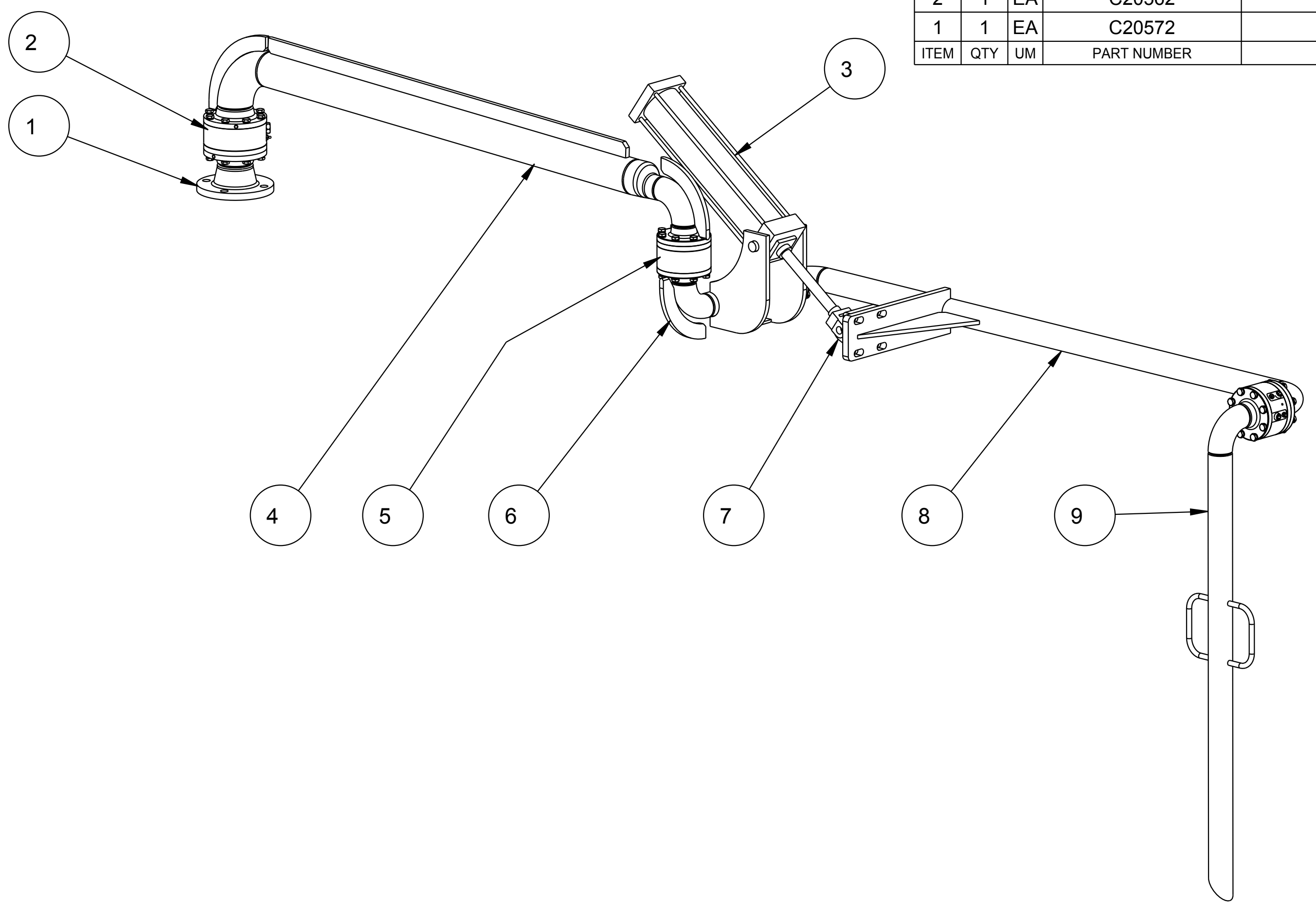


MATERIALS OF CONSTRUCTION	316L STAINLESS STEEL
SWIVEL JOINT SEALS	PFA ENCAPSULATED SILICONE
PRODUCT	LATEX
ESTIMATED WEIGHT	280 LBS
MOMENT LOAD AT SPRING	3200 IN-LBS
MOMENT LOAD AT INLET	15,500 IN-LBS
TEST PRESSURE	90 PSI
PRODUCT RETENTION	NO
WEIGHT BY OTHERS	NO
VERTICAL CYLINDER TRAVEL	-60° TO +30°

THIS DRAWING IS NOT TO BE SCALED. FOR ADDITIONAL INFORMATION, PLEASE CONTACT OUR ENGINEERING DEPT.

				REVISIONS			
LTR	ECN #	DESCRIPTION	DRAWN	APPROVED	DATE		
15	1	EA	HX99346			PNEUMATIC CYLINDER PACKAGE	
14	1	EA	HX99345			PIPE PKG, SST, EGT33F-J411	
13	1	EA	LADOC-STD			LOADING ARM, NAME TAG AND HARDWARE	
12	1	EA	LSK-8000-0303			LOADER SEAL KIT,8000,PFA ENC SILICONE,3"	
11	3	EA	LSK-8000-0203			LOADER SEAL KIT, 8000, PFA ENC SILICONE, 2"	
10	1	EA	HK-PNEU-CS			HARDWARE KIT, PNEU CYL, CS	
9	1	EA	N/A			2" SST DROP PIPE SPOOL	
8	1	EA	N/A			2" SST PIPE SPOOL	
7	1	EA	DEB-89-12A (REF)			EYE BRACKET	
6	1	EA	N/A			2" SST DSF ASSY W/PNEU BRKT'G	
5	3	EA	C20725			MODULE, SWIVEL, SST, DSF, 2"	
4	1	EA	N/A			3" X 2" PIPE SPOOL	
3	1	EA	N/A			PNEUMATIC CYLINDER	
2	1	EA	C20562			MODULE,SWIVEL,SST,DSF,3"	
1	1	EA	C20572			WLDT, SF x F, 3" SST DSF	
ITEM	QTY	UM	PART NUMBER	DESCRIPTION			



CONFIDENTIAL		THIS DOCUMENT CONTAINS INFORMATION WHICH IS PROPRIETARY TO OPW, AND SHOULD BE PROTECTED ACCORDINGLY.		DESCRIPTION: 3" X 2" TOP LOADING ARM, DFLH, PNEUMATIC	
SIGNATURES		MO-DA-YR		REV: -	
DRAWN: BJB		12/17/10		PART NUMBER:	
CHECKED: -		-		SIZE: D	
MATERIAL:		WEIGHT: -		EGT33F-J411	
				SCALE: 0.110	
				SHEET 1 OF 7	
				Engineered Systems Lebanon, Ohio 45036 USA 3D GENERATED DRAWING	

A

B

C

D

E

THIS DRAWING IS NOT TO BE SCALED. FOR ADDITIONAL INFORMATION, PLEASE CONTACT OUR ENGINEERING DEPT.

1

1

2

2

3

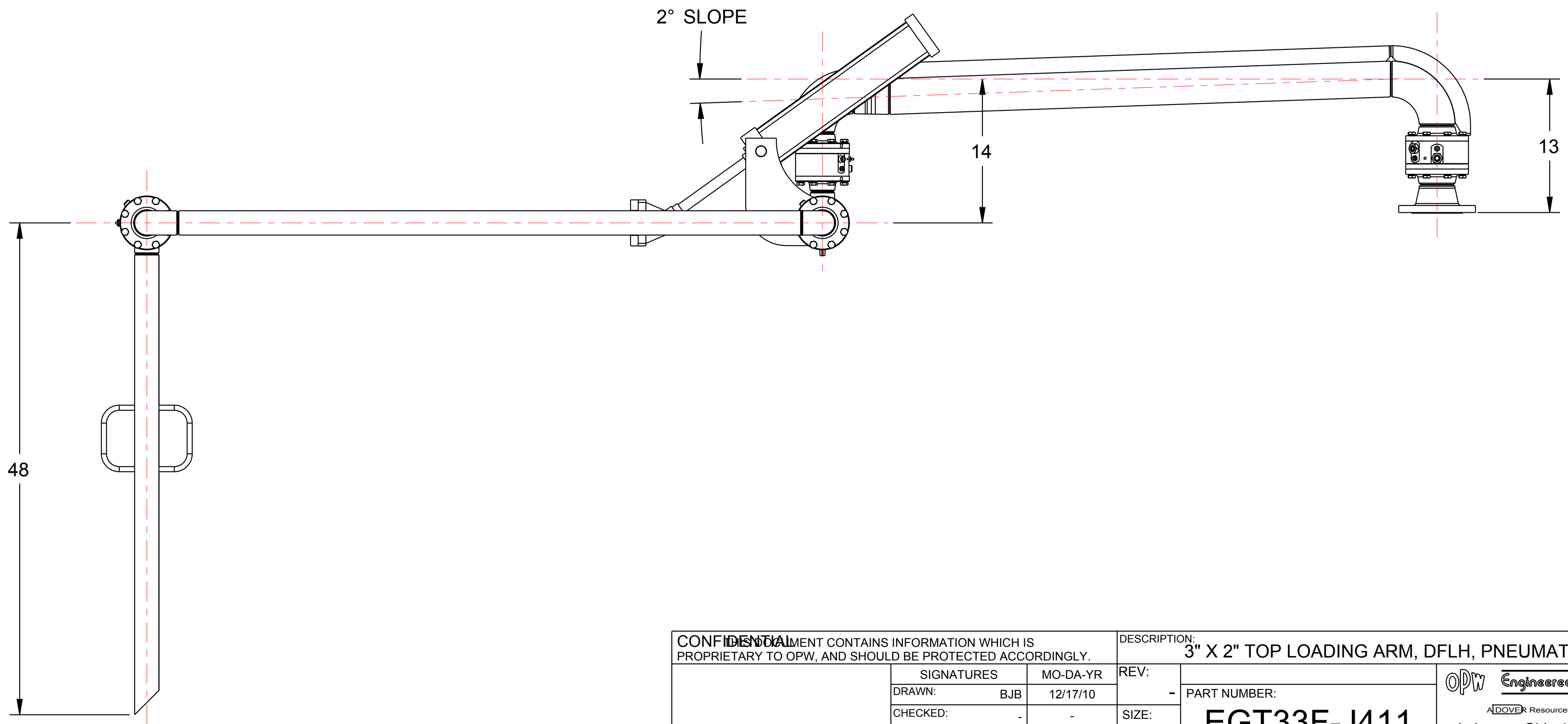
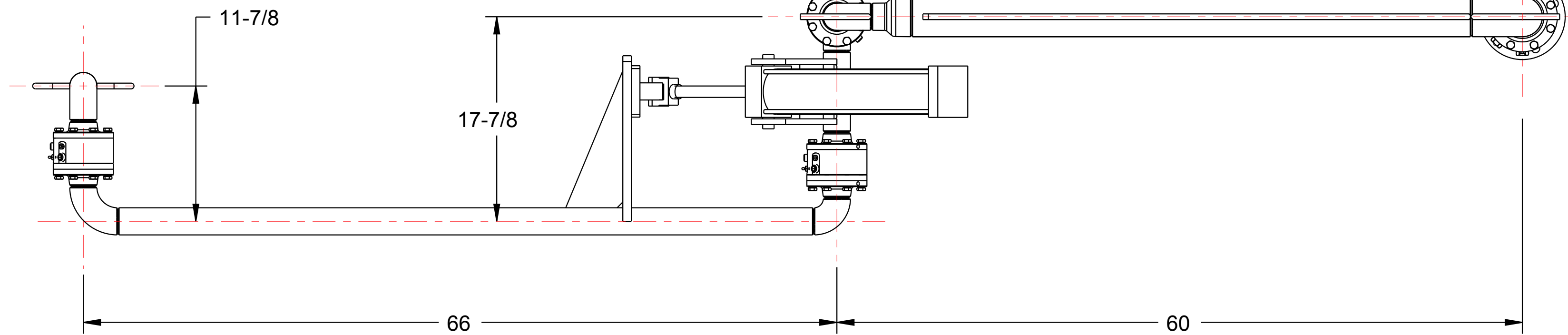
3

4

4

5

5



<p>CONFIDENTIAL THIS DOCUMENT CONTAINS INFORMATION WHICH IS PROPRIETARY TO OPW, AND SHOULD BE PROTECTED ACCORDINGLY.</p>		<p>DESCRIPTION: 3" X 2" TOP LOADING ARM, DFLH, PNEUMATIC</p>	
SIGNATURES		MO-DA-YR	REV:
DRAWN: BJB		12/17/10	-
CHECKED: -		-	SIZE: D
MATERIAL:		WEIGHT:	-
		PART NUMBER: EGT33F-J411	
		SCALE: 0.125	SHEET 2 OF 7
		Engineered Systems <small>ALDOVER Resources Company</small> Lebanon, Ohio 45036 USA 3D GENERATED DRAWING	

A

B

C

D

E