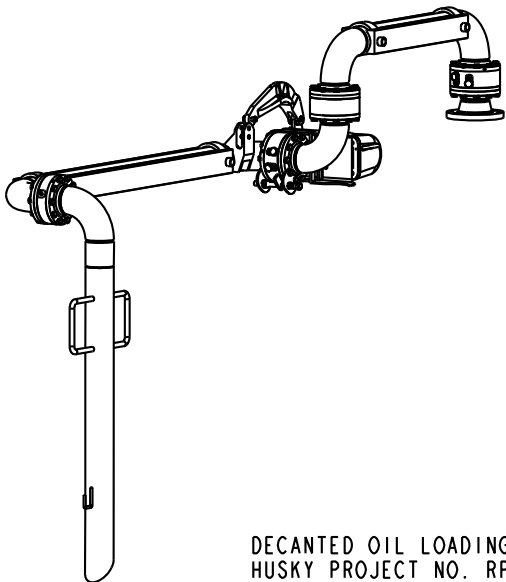
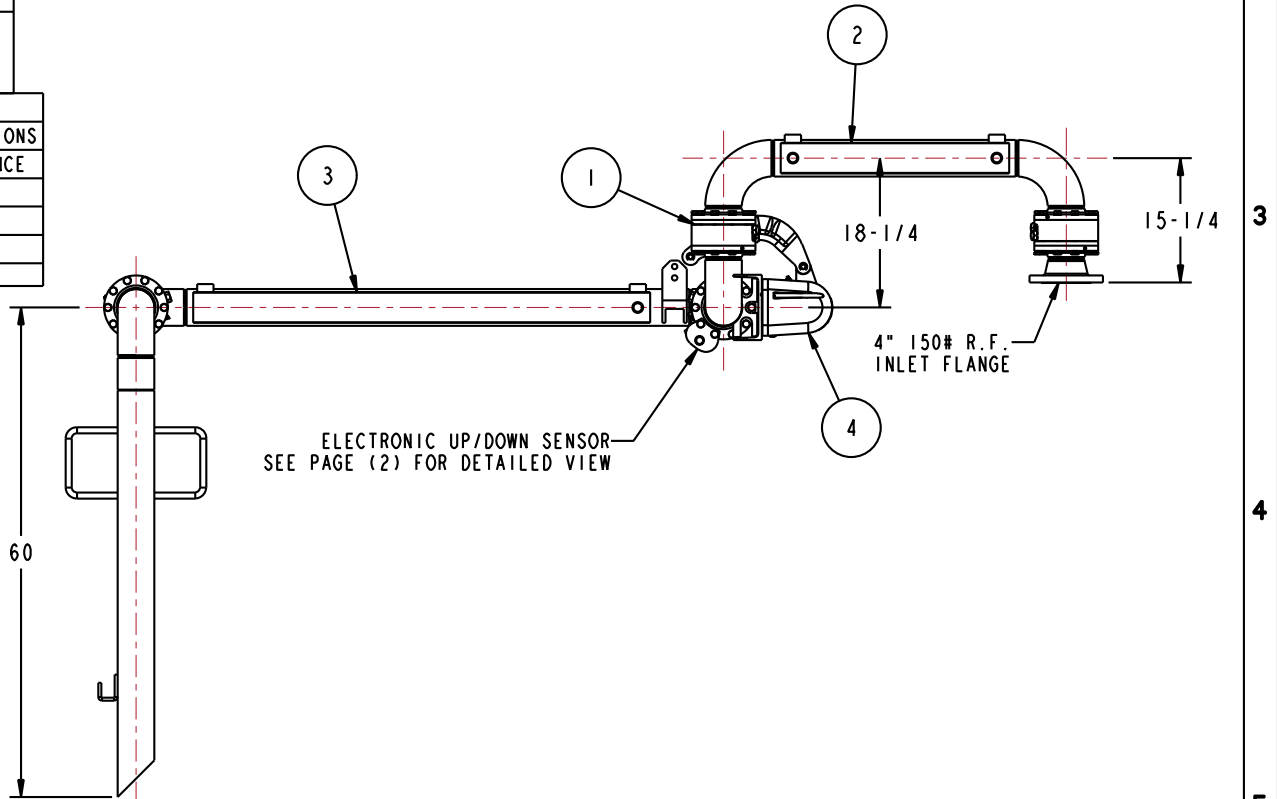
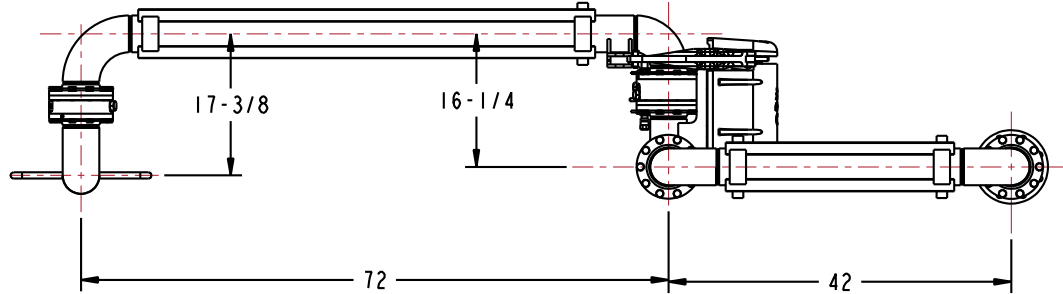


THIS DRAWING IS NOT TO BE SCALED. FOR ADDITIONAL INFORMATION, PLEASE CONTACT OUR ENGINEERING DEPT.

MATERIALS OF CONSTRUCTION	CARBON STEEL
SWIVEL JOINT SEALS	KALREZ 6375
PRODUCT	VAC BOTTOMS/DECANTED OIL
ESTIMATED WEIGHT	625 LBS
MOMENT LOAD AT SPRING	11,600 IN-LBS
MOMENT LOAD AT INLET	32,500 IN-LBS
TEST PRESSURE	150 PSI
PRODUCT RETENTION	RESIDUAL ONLY
WEIGHT BY OTHERS	INSULATION @ 4 LBS/FT
FLOW PASSAGE PIPE	A106 GR B SEAMLESS DROP PIPE A53 GR B SCH 10
RADIOGRAPHIC INSPECTION	10% FLOW PASSAGE WELDS
MAXIMUM FLOW RATE	400 GPM
OPERATING TEMPERATURE	275°F
DESIGN TEMPERATURE	400°F
SPECIAL PAINT	500° RATED PAINT COLOR: BLUE PER HXLDRPNT41089922

	6	EA	H30911M	3/4" STREET ELBOW
	4	EA	H30912M	STEAM HOSE 60" OAL, 3/4" NPT CONNECTIONS
	4	I EA	790C-0050	RIGHT HAND EZ ADJUST 'C' SPRING BALANCE
	3	I EA	HX98408	DUAL ELEMENT CONTROTRACE
	2	I EA	HX98407	DUAL ELEMENT CONTROTRACE
	1	I EA	8476FWD	4" SWIVEL ASSY, ENDURA DSF, CST
ITEM	QTY	UM	PART NUMBER	DESCRIPTION



DECANTED OIL LOADING RACK PROJECT
HUSKY PROJECT NO. RP-01952

CONFIDENTIAL THIS DOCUMENT CONTAINS INFORMATION WHICH IS PROPRIETARY TO OPW, AND SHOULD BE PROTECTED ACCORDINGLY.

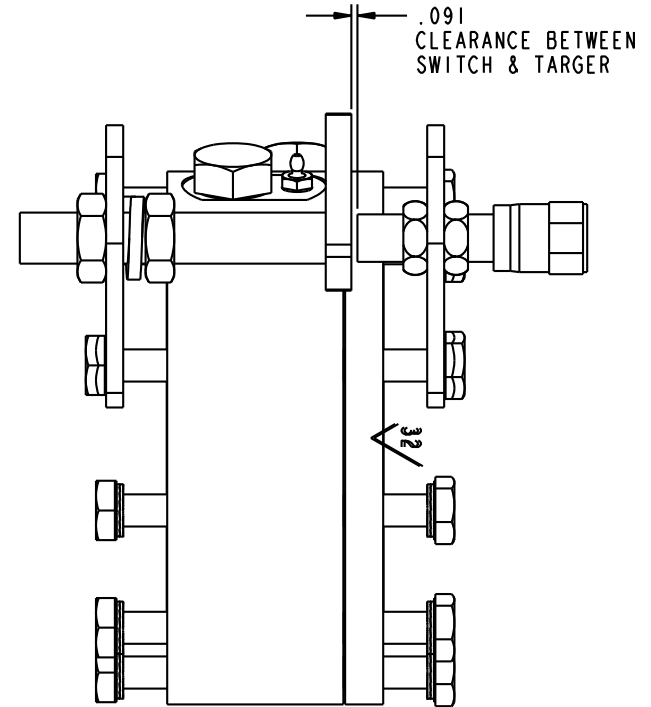
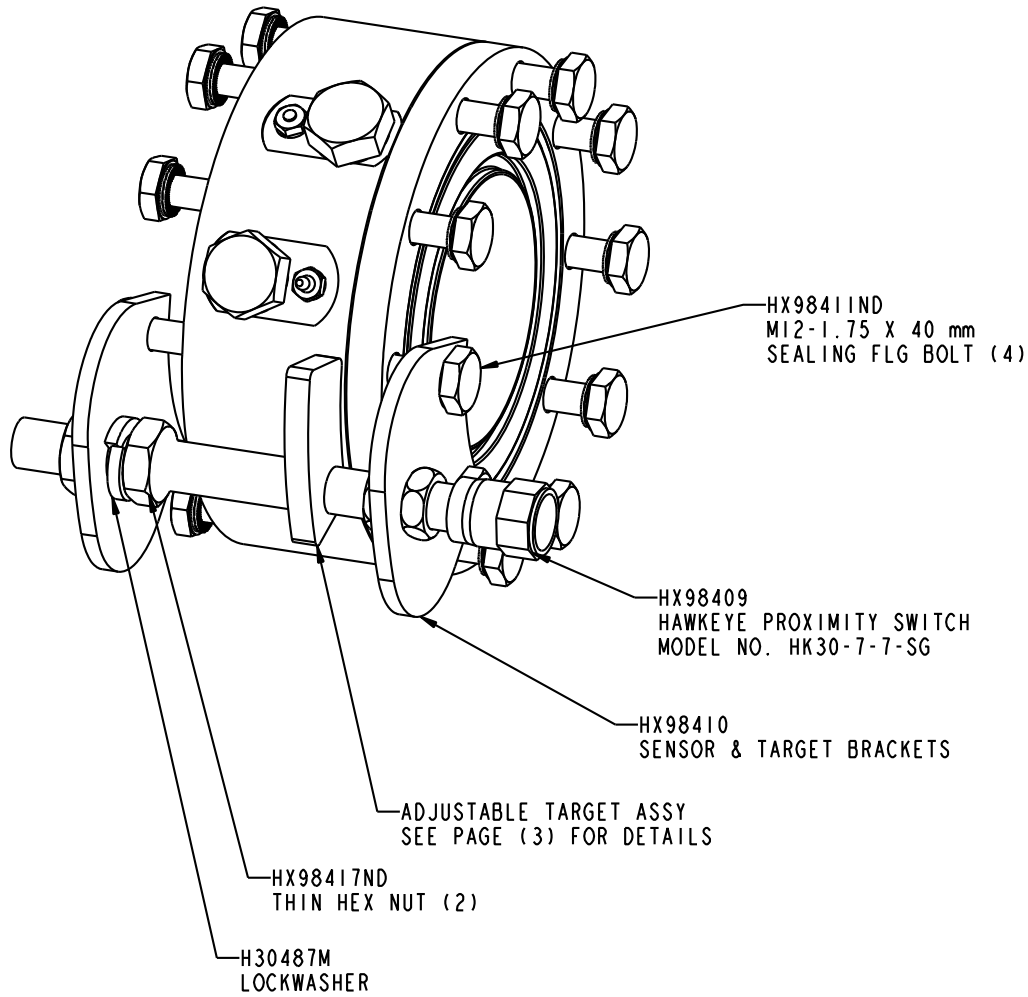
DESCRIPTION: 4" TOP LOADING ARM, DFRH

SIGNATURES	MO-DA-YR
DRAWN: BJB	4/8/10
CHECKED:	
MATERIAL:	WEIGHT:

REV: -	PART NUMBER:
SIZE: D	EGT33F-H917
SCALE: 0.090 SHEET 1 OF 5	

OPW **Engineered Systems**
A **ROTTED** Resources Company
Lebanon, Ohio 45036 USA
3D GENERATED DRAWING

THIS DRAWING IS NOT TO BE SCALED. FOR ADDITIONAL INFORMATION, PLEASE CONTACT OUR ENGINEERING DEPT.



CONFIDENTIAL THIS DOCUMENT CONTAINS INFORMATION WHICH IS PROPRIETARY TO OPW, AND SHOULD BE PROTECTED ACCORDINGLY.		DESCRIPTION: 4" TOP LOADING ARM, DFRH	
SIGNATURES	MO-DA-YR	REV:	PART NUMBER:
DRAWN: BJB	4/8/10	-	EGT33F-H917
CHECKED:	-	SIZE:	D
MATERIAL:	WEIGHT:	SCALE: 0.090	SHEET 2 OF 5

OPW Engineered Systems
 A **ROKETS** Resources Company
 Lebanon, Ohio 45036 USA
 3D GENERATED DRAWING