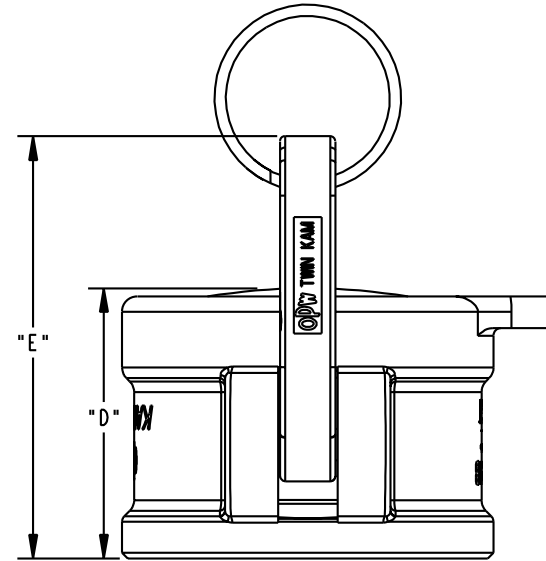
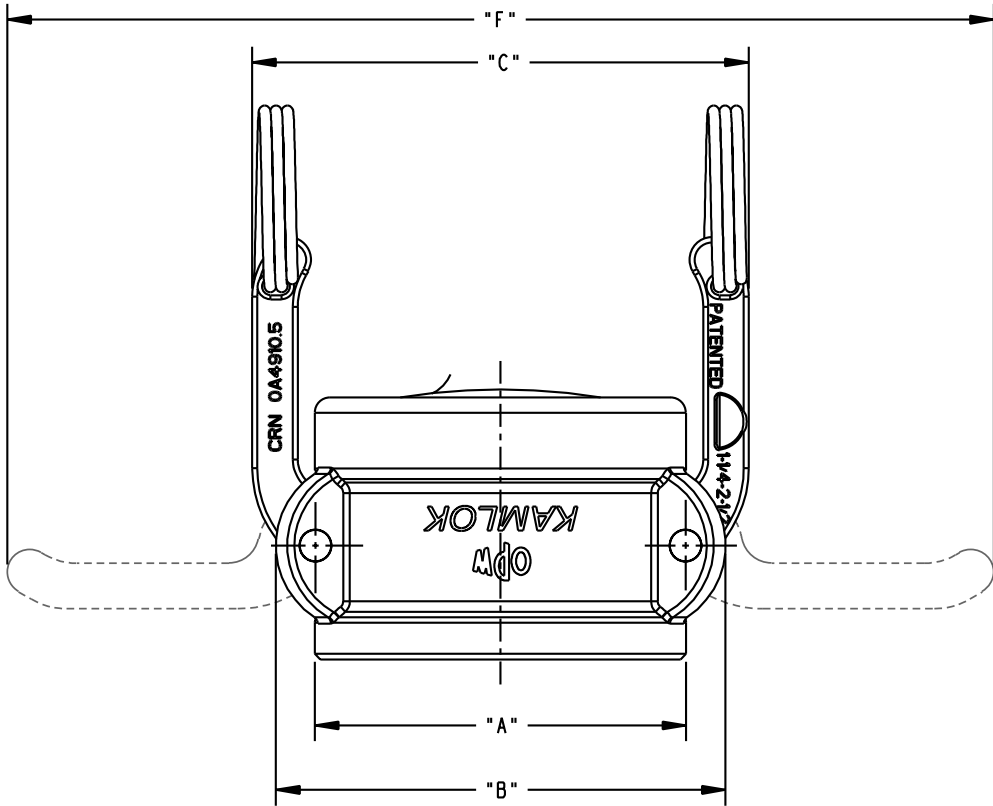


THIS DRAWING IS NOT TO BE SCALED. FOR ADDITIONAL INFORMATION, PLEASE CONTACT OUR ENGINEERING DEPT.

REVISIONS					
LTR	ECN #	DESCRIPTION	DRAWN	APPROVED	DATE
REL	-	-	JPR	-	04-30-02



4" 634B	5.50	6.06	6.53	2.31	3.88	11.08	5.0#
3" 634B	4.22	4.94	5.42	2.27	3.86	9.97	2.8#
2-1/2" 634B	3.52	4.12	4.40	2.25	3.42	8.28	2.3#
2" 634B	2.97	3.59	3.94	2.22	3.36	7.81	1.4#
1-1/2" 634B	2.59	3.22	3.56	1.88	3.25	7.44	1.3#
1-1/4" 634B	2.28	2.94	3.25	1.83	3.22	7.12	1.2#
1" 634B	2.28	2.94	2.91	1.83	2.27	5.02	0.7#
1/2" & 3/4" 634B	1.61	2.06	2.41	1.31	1.98	4.56	0.4#
DUST CAP SIZE	"A"	"B"	"C"	"D"	"E"	"F"	WT.

**CONFIDENTIAL** THIS DOCUMENT CONTAINS INFORMATION WHICH IS PROPRIETARY TO OPW, AND SHOULD BE PROTECTED ACCORDINGLY.

UNLESS OTHERWISE SPECIFIED  
 TOLERANCES ON DIMENSIONS  
 3 DECIMALS +/- 0.005  
 2 DECIMALS +/- 0.015  
 1 DECIMAL +/- 0.030  
 ANGLES +/- 1/2 DEG  
 MACHINED SURFACES 125 RMS MAX

SIGNATURES	MO-DA-YR
DRAWN: JPR	04-30-02
CHECKED: -	-
MATERIAL: -	WEIGHT: -

DESCRIPTION:		REV:		PART NUMBER:		SCALE: NONE	
KAMLOK DUST CAP DIMENSIONS		REL		634B		SHEET 1 OF 1	
DRAWN: JPR		DATE: 04-30-02		A DOVER Resources Company		3D GENERATED DRAWING	
CHECKED: -		SIZE: C		Lebanon, Ohio 45036 USA			
MATERIAL: -		WEIGHT: -					

A

B

C

D