

A

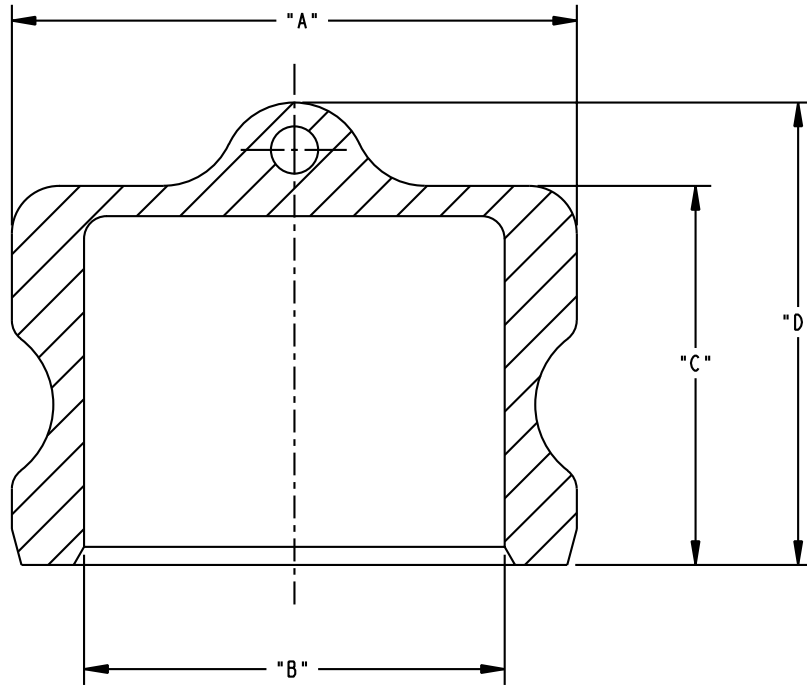
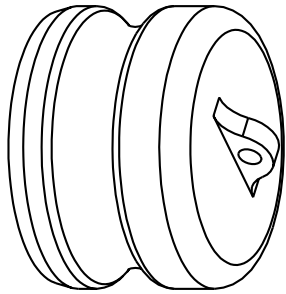
B

C

D

THIS DRAWING IS NOT TO BE SCALED. FOR ADDITIONAL INFORMATION. PLEASE CONTACT OUR ENGINEERING DEPT.

REVISIONS					
LTR	ECN #	DESCRIPTION	DRAWN	APPROVED	DATE
REL	-	-	JPR	-	07-03-01
A	41494	PRODUCT NO. 634A WAS 734A	SCK		



4" 634A	4.72	3.88	2.06	2.56
3" 634A	3.61	2.88	2.00	2.44
2-1/2" 634A	2.98	2.22	2.00	2.44
2" 634A	2.48	1.75	1.88	2.31
1-1/2" 634A	2.11	1.38	2.88	3.25
1-1/4" 634A	1.80	1.12	1.69	2.12
1" 634A	1.44	0.94	1.31	1.75
1/2" & 3/4" 634A	1.27	0.84	1.00	1.44
DUST PLUG SIZE	"A"	"B"	"C"	"D"

CONFIDENTIAL THIS DOCUMENT CONTAINS INFORMATION WHICH IS PROPRIETARY TO OPW, AND SHOULD BE PROTECTED ACCORDINGLY.

UNLESS OTHERWISE SPECIFIED
 TOLERANCES ON DIMENSIONS
 3 DECIMALS +/- 0.005
 2 DECIMALS +/- 0.015
 1 DECIMAL +/- 0.030
 ANGLES +/- 1/2 DEG
 MACHINED SURFACES 125 RMS MAX

SIGNATURES		MO-DA-YR
DRAWN:	JPR	08-28-01
CHECKED:	-	-
MATERIAL:	-	WEIGHT: -

DESCRIPTION: AUTOLOK DUST PLUG DIMENSIONS

REV: A	PART NUMBER: 634A
SIZE: C	SCALE: NONE
	SHEET 1 OF 1

OPW **Engineered Systems**
 A **DOVER** Resources Company
 Lebanon, Ohio 45036 USA
 3D GENERATED DRAWING

A

B

C

D

1

2

3

4

1

2

3

4