

A

B

C

D

THIS DRAWING IS NOT TO BE SCALED. FOR ADDITIONAL INFORMATION, PLEASE CONTACT OUR ENGINEERING DEPT.

REVISIONS					
LTR	ECN #	DESCRIPTION	DRAWN	APPROVED	DATE
REL	-	-	JPR	-	04-30-02

1

2

3

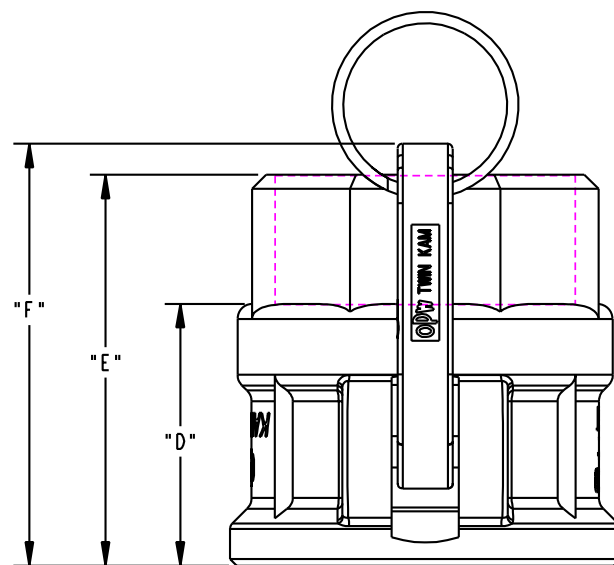
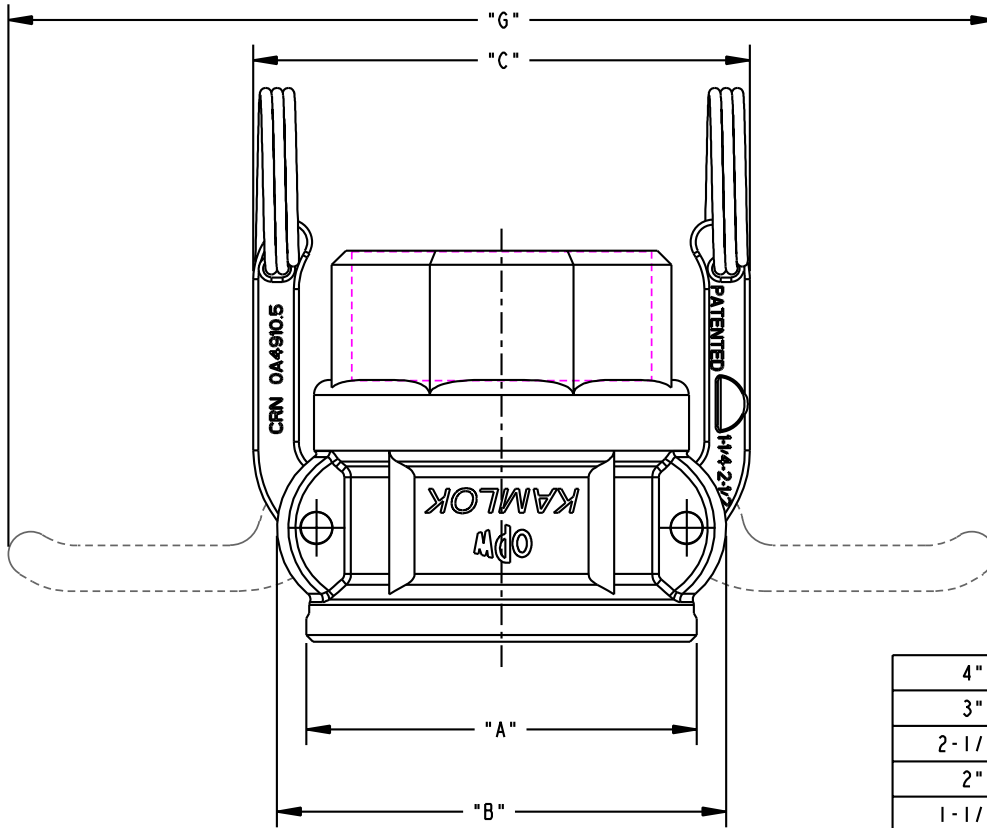
4

1

2

3

4



COUPLER SIZE	THREAD SIZE	"A"	"B"	"C"	"D"	"E"	"F"	"G"
4" 633D	4.00 - 8 NPT	5.50	6.00	6.53	2.34	3.75	3.94	11.08
3" 633D	3.00 - 8 NPT	4.31	4.94	5.42	2.28	3.53	3.94	9.97
2-1/2" 633D	2.50 - 8 NPT	3.52	4.06	4.40	2.25	3.50	3.44	8.28
2" 633D	2.00 - 11.5 NPT	3.07	3.56	3.94	2.08	3.09	3.34	7.81
1-1/2" 633D	1.50 - 11.5 NPT	2.59	3.22	3.56	1.88	2.88	3.31	7.44
1-1/4" 633D	1.25 - 11.5 NPT	2.28	2.94	3.25	1.88	2.88	3.25	7.14
1" 633D	1.00 - 11.5 NPT	1.83	2.31	2.91	1.62	2.47	2.27	5.03
3/4" 633D	0.75 - 14 NPT	1.62	2.06	2.41	1.25	2.09	1.97	4.56
1/2" 633D	0.50 - 14 NPT	1.62	2.06	2.41	1.25	2.09	1.97	4.56

CONFIDENTIAL THIS DOCUMENT CONTAINS INFORMATION WHICH IS PROPRIETARY TO OPW, AND SHOULD BE PROTECTED ACCORDINGLY.

DESCRIPTION: KAMLOK COUPLER DIMENSIONS

UNLESS OTHERWISE SPECIFIED TOLERANCES ON DIMENSIONS 3 DECIMALS +/- 0.005 2 DECIMALS +/- 0.015 1 DECIMAL +/- 0.030 ANGLES +/- 1/2 DEG MACHINED SURFACES 125 RMS MAX	SIGNATURES	MO-DA-YR
	DRAWN: JPR	04-30-02
	CHECKED: -	-
	MATERIAL: -	WEIGHT: -

REV: REL	PART NUMBER:
SIZE: C	633D
	SCALE: NONE

OPW **Engineered Systems**
 A **DOVER** Resources Company
 Lebanon, Ohio 45036 USA
 3D GENERATED DRAWING

A

B

C

D