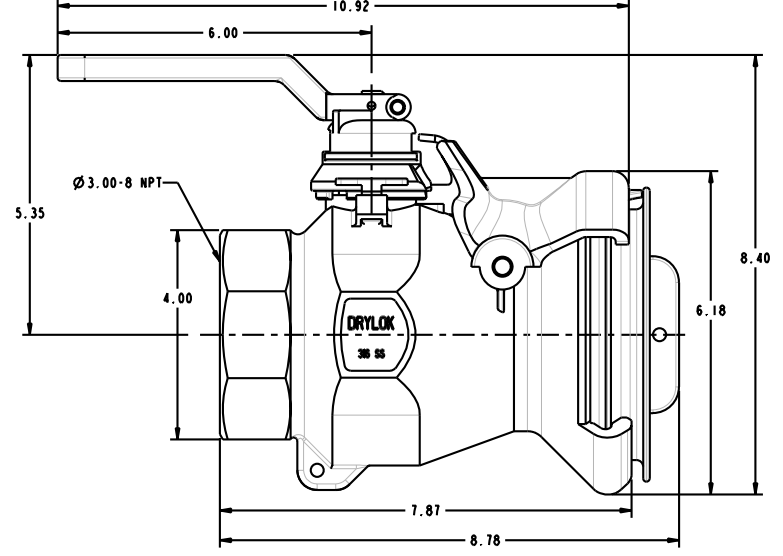
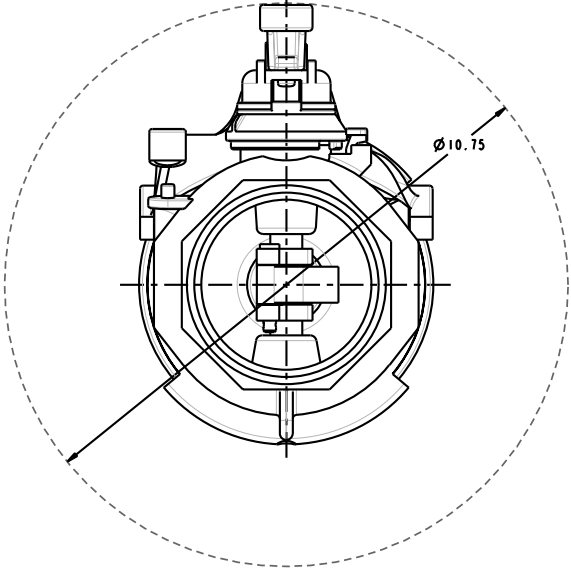
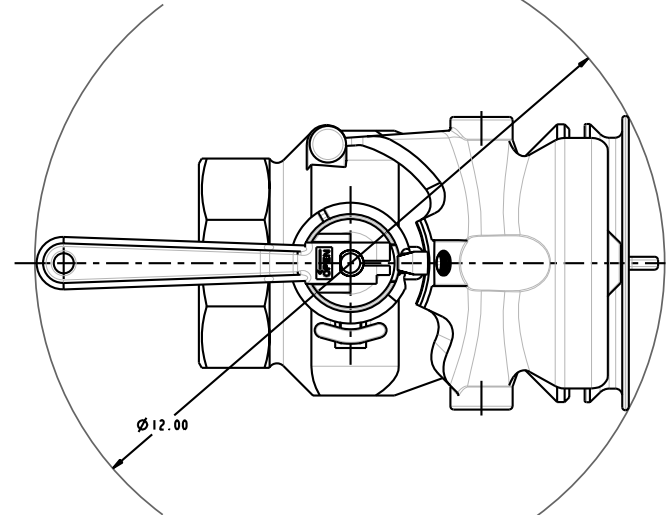


THIS DRAWING IS NOT TO BE SCALED. FOR ADDITIONAL INFORMATION, PLEASE CONTACT OUR ENGINEERING DEPT.

REVISIONS					
LTN	ECN #	DESCRIPTION	DRAWN	APPROVED	DATE



COMPROMENTIAL. THIS DOCUMENT CONTAINS INFORMATION WHICH IS PROPRIETARY TO OPM, AND SHOULD BE PROTECTED ACCORDINGLY.		DESCRIPTION: 3" DRYLOK COUPLER	
SIGNATURES	NO-DA-YR	REV: <b>REL</b>	PART NUMBER:
DRAWN: JPH	08-09-01	SIZE: <b>E</b>	<b>5770-730N</b>
CHECKED:		WEIGHT: 14.84	SCALE: 0.680
INVENTOR:			SHEET 1 OF 1
			3D GENERATED DRAWING

**OPD** Engineered Systems  
 A HEDP/ProSeries Company  
 Lebanon, Ohio 45036 USA