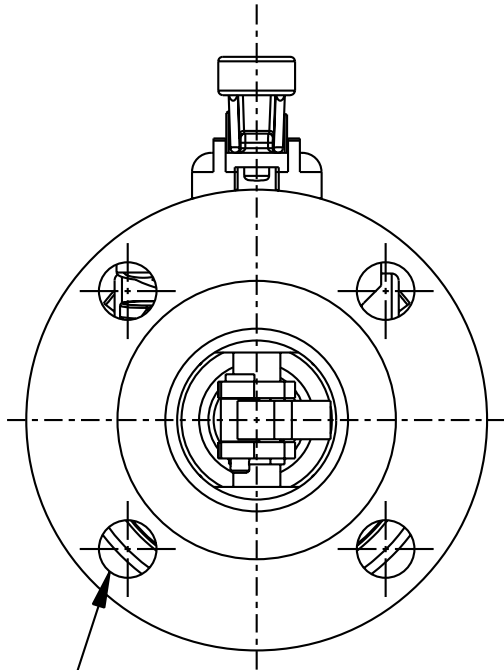
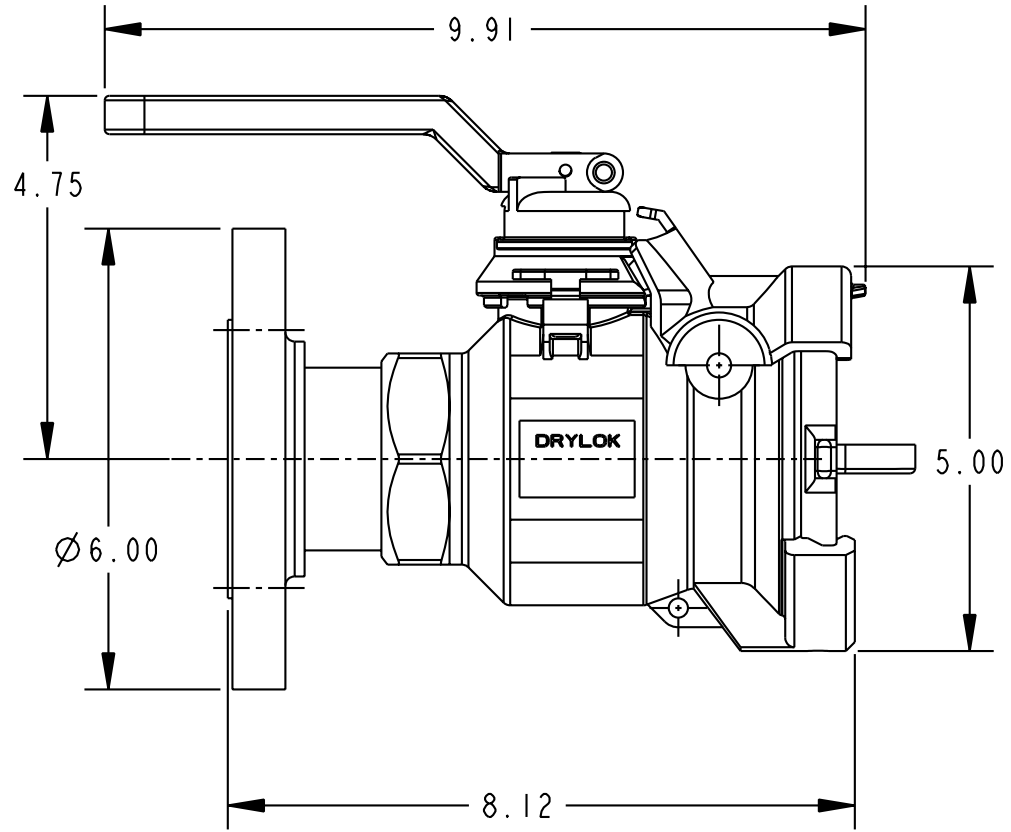


THIS DRAWING IS NOT TO BE SCALED. FOR ADDITIONAL INFORMATION, PLEASE CONTACT OUR ENGINEERING DEPT.

REVISIONS					
LTR	ECN #	DESCRIPTION	DRAWN	APPROVED	DATE
REL	-	-	JPR		03-27-01



(4)  $\phi$ .75 HOLES EQUALLY SPACED ON A  $\phi$ 4.75 B.C.



NOTE:  
1. TOLERANCE ON ALL DIMS:  $\pm$ .12"

**CONFIDENTIAL** THIS DOCUMENT CONTAINS INFORMATION WHICH IS PROPRIETARY TO OPW, AND SHOULD BE PROTECTED ACCORDINGLY.

DESCRIPTION: 2" FLANGED DRYLOK COUPLER

UNLESS OTHERWISE SPECIFIED  
TOLERANCES ON DIMENSIONS  
3 DECIMALS  
2 DECIMALS SEE NOTE  
1 DECIMAL  
ANGLES +/- 1/2 DEG  
MACHINED SURFACES 125 RMS MAX

SIGNATURES		MO-DA-YR
DRAWN BY:	JPR	03-27-01
CHECKED BY:	-	-
MATERIAL:	SST	WEIGHT: 16.5#

REV	SIZE
REL	H
PART NUMBER: <b>5770-720A</b>	
SCALE: 0.400	SHEET 1 OF 1

**OPW** Engineered Systems  
A **DOVER** Resources Company  
Lebanon, Ohio 45036 USA  
3D GENERATED DRAWING