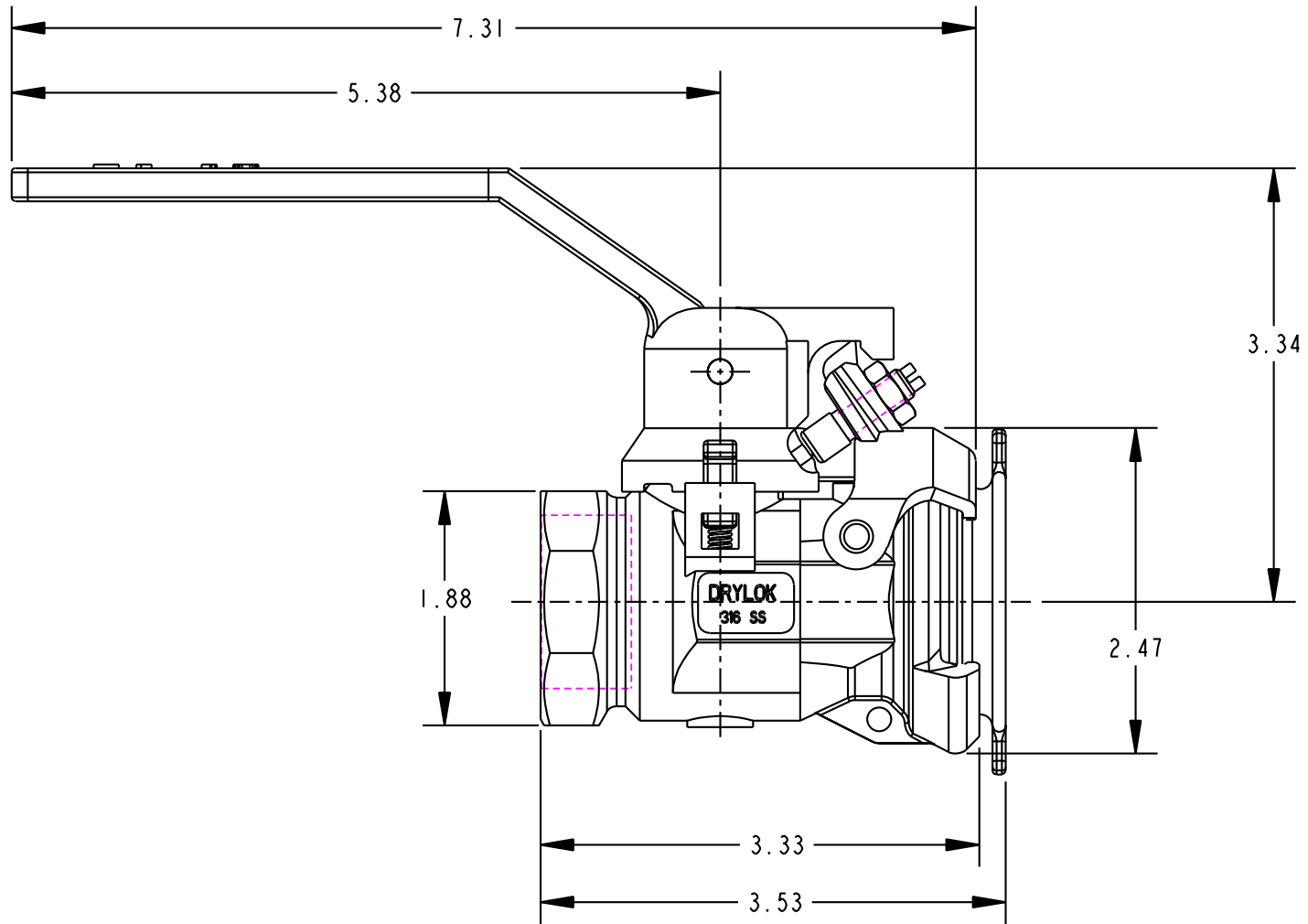


THIS DRAWING IS NOT TO BE SCALED. FOR ADDITIONAL INFORMATION, PLEASE CONTACT OUR ENGINEERING DEPT.

| REVISIONS |       |             |       |          |          |
|-----------|-------|-------------|-------|----------|----------|
| LTR       | ECN # | DESCRIPTION | DRAWN | APPROVED | DATE     |
| REL       | -     | -           | JPR   |          | 08-28-02 |



**CONFIDENTIAL** THIS DOCUMENT CONTAINS INFORMATION WHICH IS PROPRIETARY TO OPW, AND SHOULD BE PROTECTED ACCORDINGLY.

DESCRIPTION:

1" DRYLOK COUPLER ASSEMBLY

UNLESS OTHERWISE SPECIFIED  
 TOLERANCES ON DIMENSIONS  
 3 DECIMALS +/- 0.005  
 2 DECIMALS +/- 0.015  
 1 DECIMAL +/- 0.030  
 ANGLES +/- 1/2 DEG  
 MACHINED SURFACES 125 RMS MAX

| SIGNATURES    | MO-DA-YR  |
|---------------|-----------|
| DRAWN BY: JPR | 08-28-02  |
| CHECKED BY: - | -         |
| MATERIAL: -   | WEIGHT: - |

REV  
**REL**  
 SIZE  
**H**

|              |                  |
|--------------|------------------|
| PART NUMBER: | <b>5770-710N</b> |
| SCALE: 0.75  | SHEET 1 OF 1     |

**OPW** *Engineered Systems*  
 A **DOVER** Resources Company  
 Lebanon, Ohio 45036 USA  
 3D GENERATED DRAWING

A

B

C