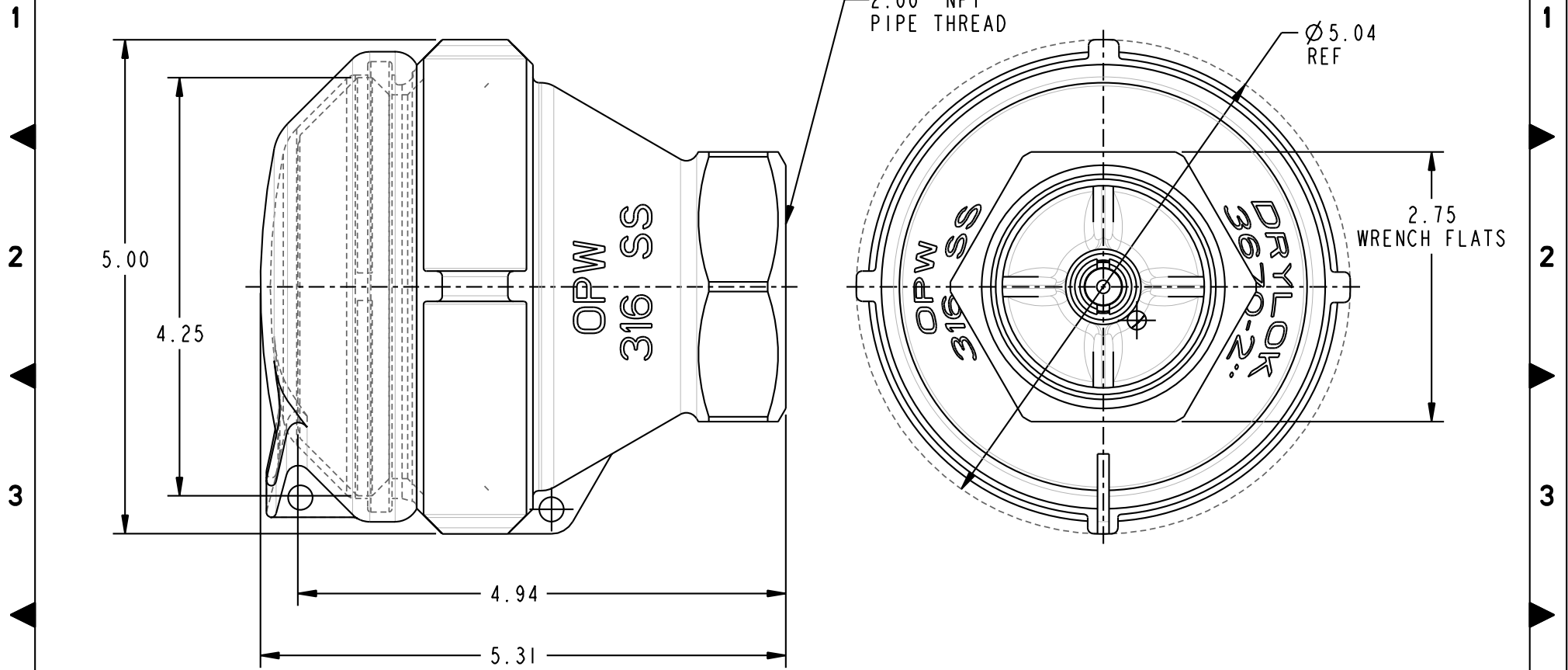


THIS DRAWING IS NOT TO BE SCALED. FOR ADDITIONAL INFORMATION, PLEASE CONTACT OUR ENGINEERING DEPT.

REVISIONS					
LTR	ECN #	DESCRIPTION	DRAWN	APPROVED	DATE
REL	-	-	JPR		06-13-01



**CONFIDENTIAL** THIS DOCUMENT CONTAINS INFORMATION WHICH IS PROPRIETARY TO OPW, AND SHOULD BE PROTECTED ACCORDINGLY.

UNLESS OTHERWISE SPECIFIED  
 TOLERANCES ON DIMENSIONS  
 3 DECIMALS +/- 0.005  
 2 DECIMALS +/- 0.015  
 1 DECIMAL +/- 0.030  
 ANGLES +/- 1/2 DEG  
 MACHINED SURFACES 125 RMS MAX

SIGNATURES		MO-DA-YR
DRAWN:	JPR	06-13-01
CHECKED:	-	-
MATERIAL:	WEIGHT: 7.5#	

DESCRIPTION:		2" DRYLOK ADAPTOR ASSEMBLY	
REV:	REL	PART NUMBER:	5670-720N
SIZE:	C	SCALE: 1.00	SHEET 1 OF 1
		<b>OPW</b> Engineered Systems A <b>DOVER</b> Resources Company Lebanon, Ohio 45036 USA	
		3D GENERATED DRAWING	