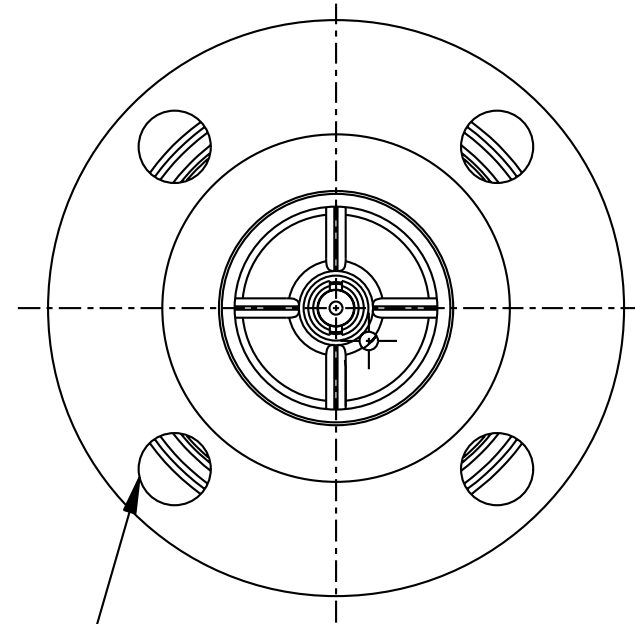
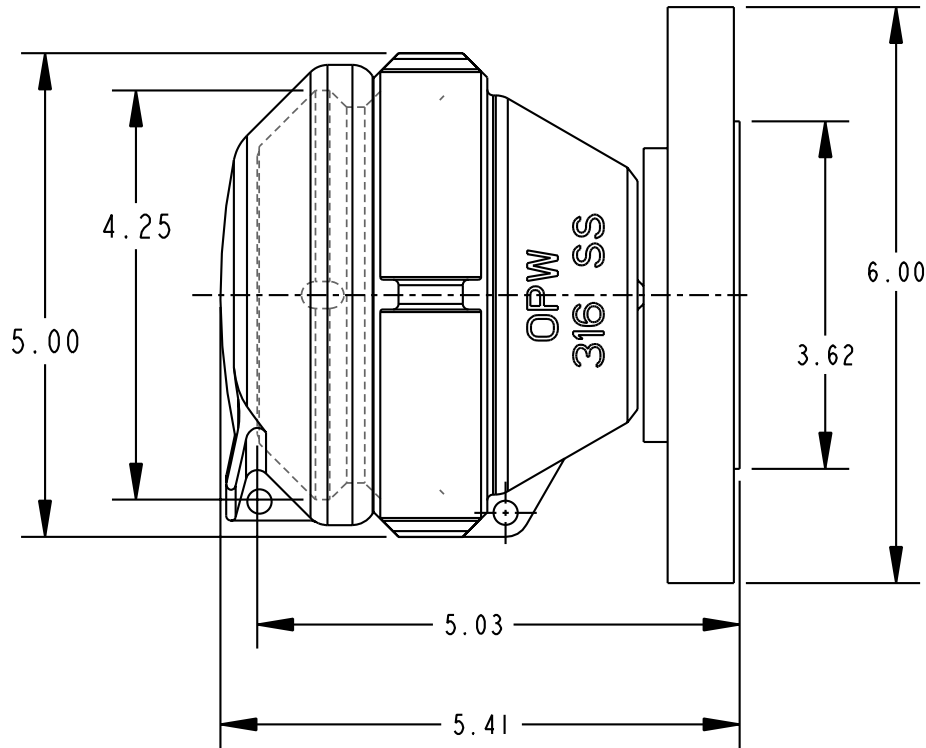


THIS DRAWING IS NOT TO BE SCALED. FOR ADDITIONAL INFORMATION, PLEASE CONTACT OUR ENGINEERING DEPT.

REVISIONS					
LTR	ECN #	DESCRIPTION	DRAWN	APPROVED	DATE
REL	-	-	JPR		03-27-01
A		REVISED TO DETAIL	SCK		05/15/06



(4) ϕ .75 HOLES EQUALLY SPACED ON A ϕ 4.75 B.C.

CONFIDENTIAL THIS DOCUMENT CONTAINS INFORMATION WHICH IS PROPRIETARY TO OPW, AND SHOULD BE PROTECTED ACCORDINGLY.

DESCRIPTION:

2" ADAPTOR ASSEMBLY

UNLESS OTHERWISE SPECIFIED
TOLERANCES ON DIMENSIONS
3 DECIMALS +/- 0.005
2 DECIMALS +/- 0.015
1 DECIMAL +/- 0.030
ANGLES +/- 1/2 DEG
MACHINED SURFACES 125 RMS MAX

SIGNATURES		MO-DA-YR
DRAWN BY:	JPR	10-26-00
CHECKED BY:	-	-
MATERIAL:	WEIGHT:	

REV
A
SIZE
H

PART NUMBER:	5670-720A
SCALE: 0.50	
SHEET 2 OF 2	

OPW **Engineered Systems**
A **DOVER** Resources Company
Lebanon, Ohio 45036 USA
3D GENERATED DRAWING