

## Torsion Spring – Short-Range Hose (SRH) Loader

OPW SRH Bottom Loading Arms allow simultaneous connecting and filling of up to three product lines. Similar to counterweighted hose loaders, SRH loaders are generally stored horizontal and only slight upward or downward movement is required to align the coupler with the tank truck adaptor.

A proven performer in oil terminals around the world, the SRH sets the standard for cost-effective, low-maintenance and user-friendly operation.



### Features:

- 790 EZ Adjust Torsion Spring (3-Year Warranty)
- Integral Upward, Downward Travel Stops
- Carbon Steel/Aluminum Construction
- Low Temperature Fluorocarbon Seals
- Braided Stainless Steel or Rackmaster Composite Hose
- Available in Upfeed and Downfeed Configurations with Left-Hand and Right-Hand Orientations
- 360° Rotation Allows Loading on Both Sides of Loading Bay

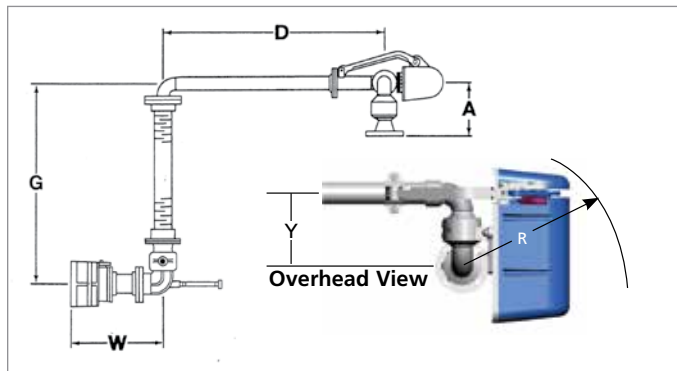
### Benefits:

- Safe, Easy Spring Adjustment
- No Special Tools Required
- Conforms to API Bottom Loading Envelope with (3) arms on 21" (533 mm) centers
- Ideal for Converting Top-Loading Rack to Bottom Loading



# Torsion Spring - Short Range Hose (SRH) Loader

## SRH-32-F (Short Range) Dimensions\*



Size		A		D		G	
in.	mm	in.	mm	in.	mm	in.	mm
3	76	10- <sup>1</sup> / <sub>2</sub>	267	52	1321	104	2642
4	102	11- <sup>3</sup> / <sub>4</sub>	298	52	1321	104	2642

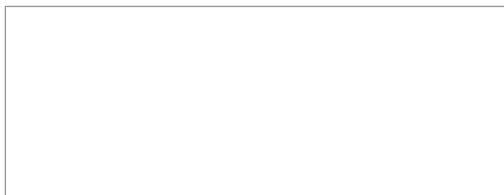
W		R		Y	
in.	mm	in.	mm	in.	mm
21	533	18- <sup>1</sup> / <sub>2</sub>	470	10- <sup>3</sup> / <sub>4</sub>	273
21	533	20	508	12- <sup>3</sup> / <sub>4</sub>	324

\*Custom dimensions also available

## Specifications

<b>Materials</b>	Carbon Steel/Aluminum
<b>Seals</b>	Low Temp Fluorocarbon
<b>Working Pressure</b>	125 PSI (862 kPa)
<b>Test Pressure</b>	188 PSI (1296 kPa)
<b>Operating Temp</b>	-20° to 140°
<b>Up/Down Angular Movement</b>	+45° to -15° (from horizontal)
<b>Typical Horizontal Spacing</b>	26" (660 mm)
<b>Typical Vertical Spacing</b>	15" (381 mm)
<b>Typical Reach (radius)</b>	50" to 70" (1300 mm to 1778 mm)
<b>Typical No. of arms per bay</b>	up to 5

Distributed by:



## Accessories

<b>Drop Spool</b>	4" Aluminum or Carbon Steel	As Required
<b>Drop Hose</b>	4" Rackmaster Composite, 80" OAL, TTMA Flanged Ends	L19080
	4" Braided Stainless Steel, 80" OAL, TTMA Flanged Ends	L19081
<b>Coupler Swivel</b>	4" Style 30 (90°) Swivel Joint with Maneuvering Handle TTMA Flanged Ends, Aluminum/ Low Temp Fluorocarbon	3635FTH-0402
<b>Butterfly Valve</b>	4" Full Flow, Position-Locked Butterfly Valve	LBV450VGL
<b>Spacer Spool</b>	4" Loading Arm Coupler Spool, TTMA Flanged Ends, Aluminum 6" OAL	VSS4
<b>Sight Glass</b>	4" Acrylic Sight Glass, Tempered, Cast Acrylic	BF4-SG-25
<b>API Coupler</b>	4" API Bottom Loading Coupler	
	Manual Version:	1004D3-0402 (Fluorocarbon Seals)
	Semi-Automatic Version:	LYNX852 (Fluorocarbon Seals)

## Ordering Information

<b>SRH32F - 52 - 0402 - RH</b>			
<b>Loading Arm Type</b>	<b>Feed</b>	<b>Reach</b>	<b>Orientation</b>
SRH = Short Range Hose	32 = Upfeed 33 = Downfeed	52 = 52" (1321 mm) 60 = 60" (1524 mm) 70 = 70" (1778 mm)	RH = Right Hand LH = Left hand
		<b>Seal Type</b>	
		02 = Fluorocarbon	
		<b>Size</b>	
		04 = 4"	